

The Perfect Intersection of Experience,  
Quality, Innovation and Science



JUST FOR PROFESSIONAL DENTISTS



Product  
**CATALOG**





**GENERAL**

About Us.....3

PTI Applications.....4



**SURGICAL**

Surface.....5

Drilling Protocol.....6

Packaging Handling.....7

PTI Design.....9

Implants Overview.....10

Ø2.9 mm Slim Implant.....11

Cover Screw, Transfer Piece, Healing Caps.....12

SLA



**PROSTHETICS**

..... 13

Cement Retained Abutments.....14

Temporary Abutments.....15

Screw Retained (Multi-unit) Abutments.....16-17

Locator Abutments.....18-20

Ti-base Abutments.....21-24

Digital Analogs.....26

Pre-mill Abutments.....28

Implant Level Impression Components and Analogs.....29-30

Abutment Level Impression Components and Analogs.....31-32

Abutments



**INTRUMENTS**

and

**ACCESSORIES**

Cassette.....33-36

Stopper Kit.....37

Sinus Osteotome Kit.....38

Ridge Expander Kit Screw Removal Kit.....39

All on Four & Abutment Selection Kit.....40

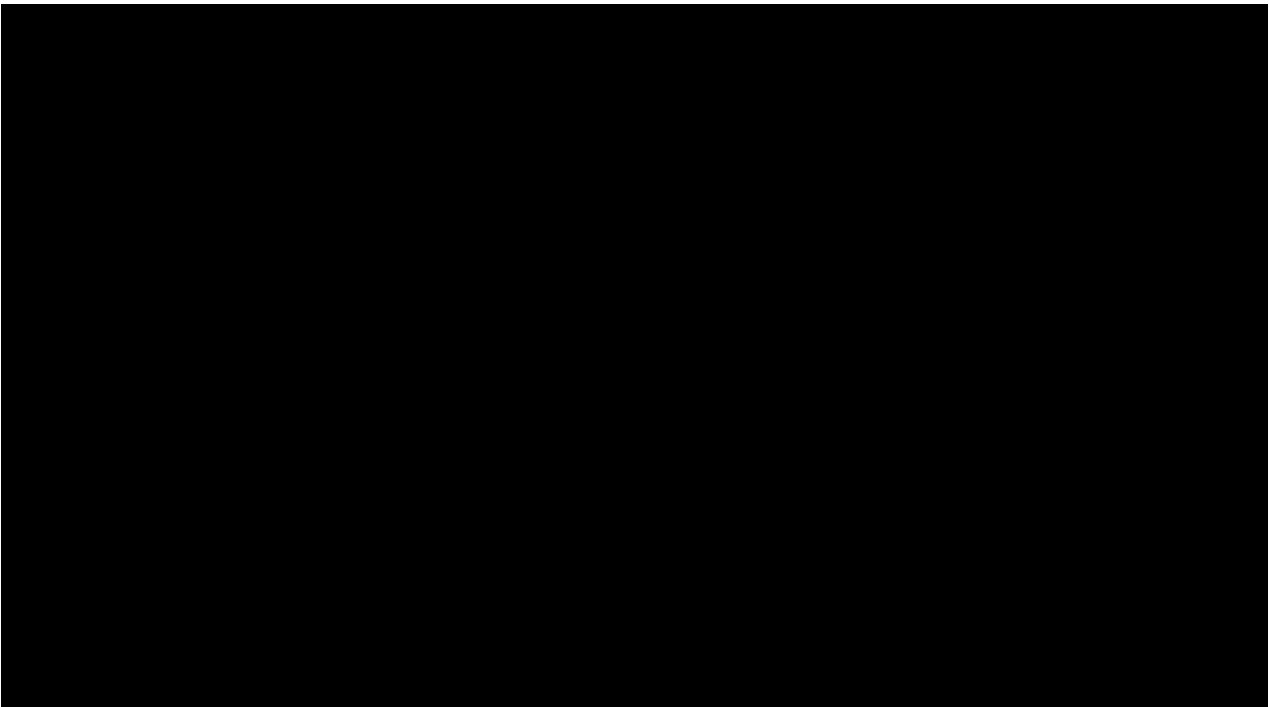
Digital Libraries.....41

Surgical



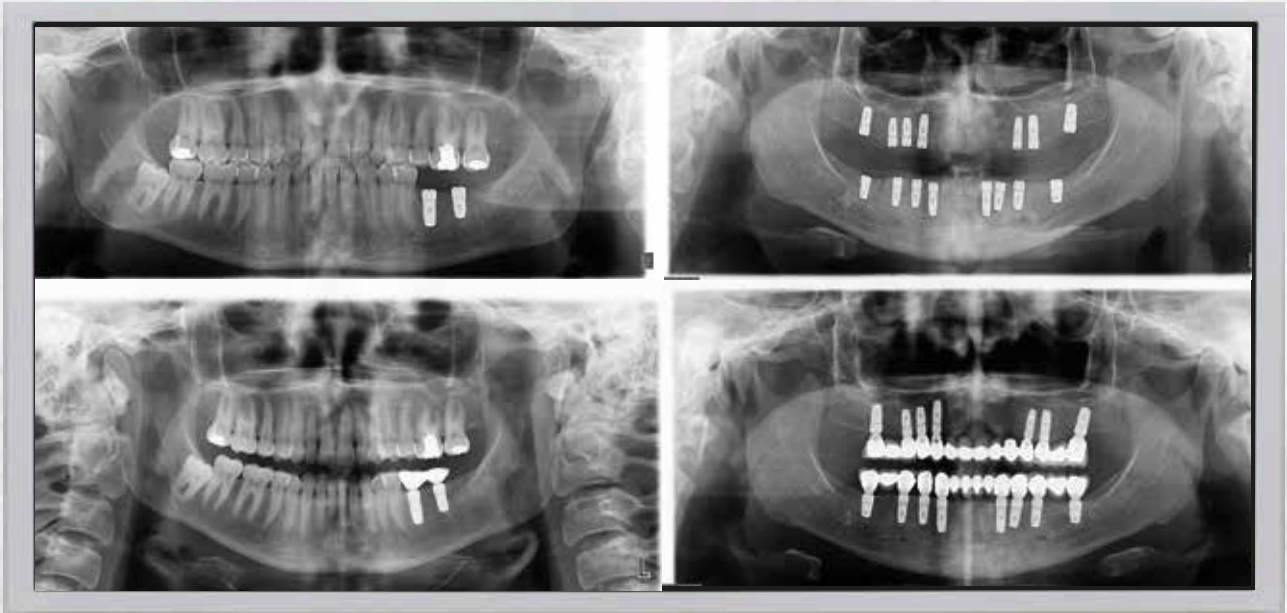
**MISSION**

ProimtechInc. aims to be a healthcare leading firm that follows the latest advances in technology, keeps innovations alive adding new values every passing day with R&D studies and works for providing high quality of health and life for everybody.



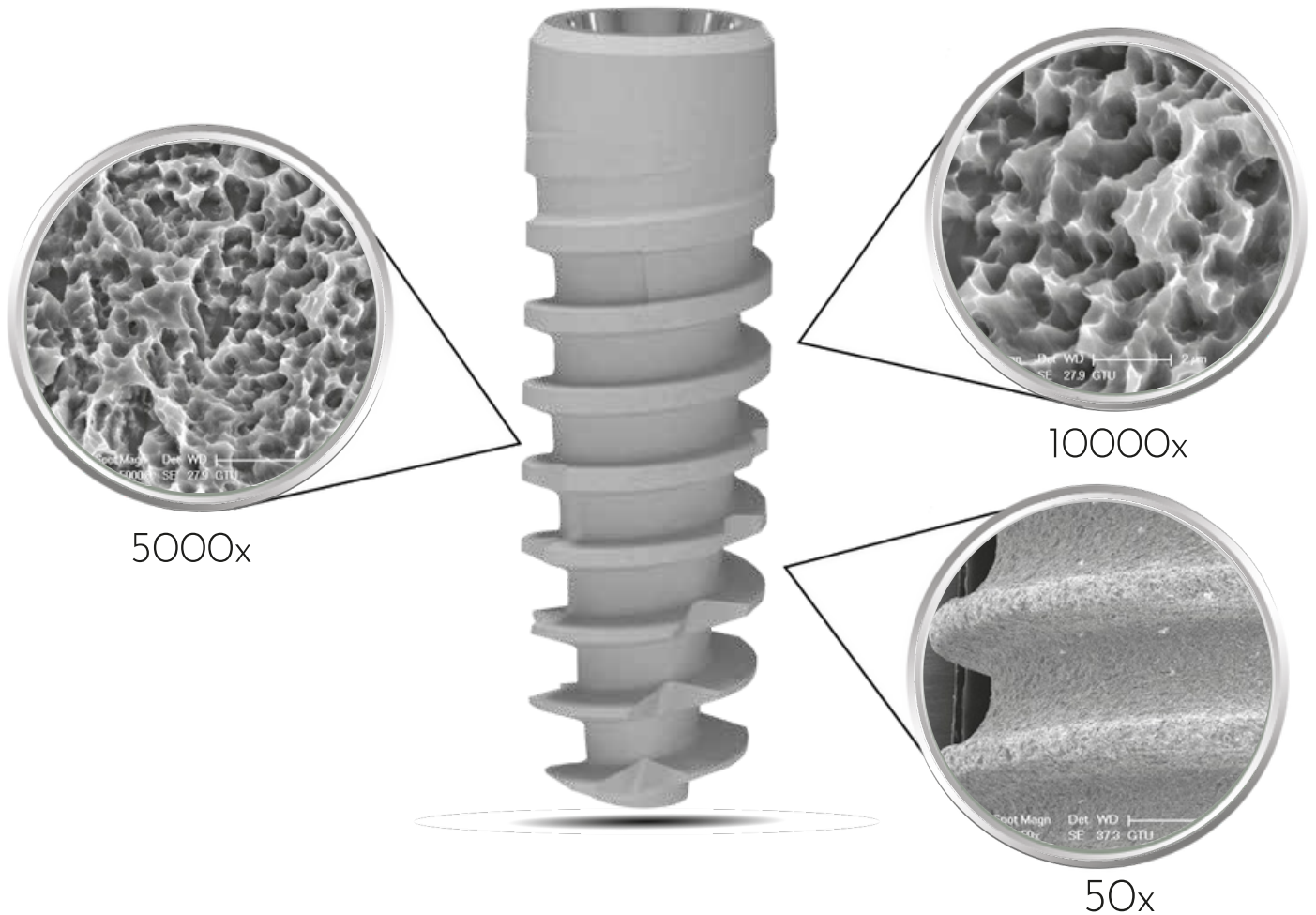
**VISION**

Our main target is to be a trustworthy and global company in the dental sector by providing innovative, scientific and highly qualified production service.

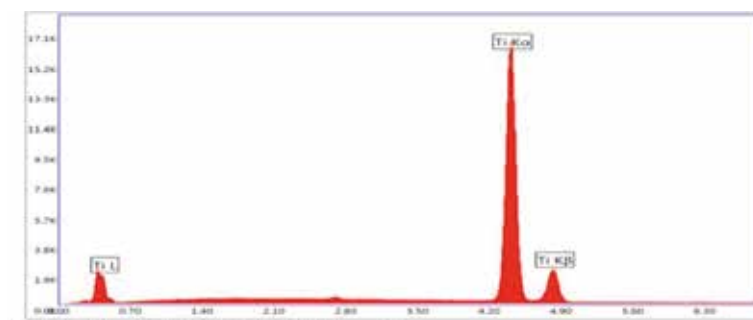


As an expected result of our sense of manufacturing that does not compromise quality and scientificness, success of our implants was proved with proved with 8 years clinical follow-up. In accordance with the scientific literature, PTI applications does not cause periimplantitis, pathological marginal bone loss, screw loosening etc.

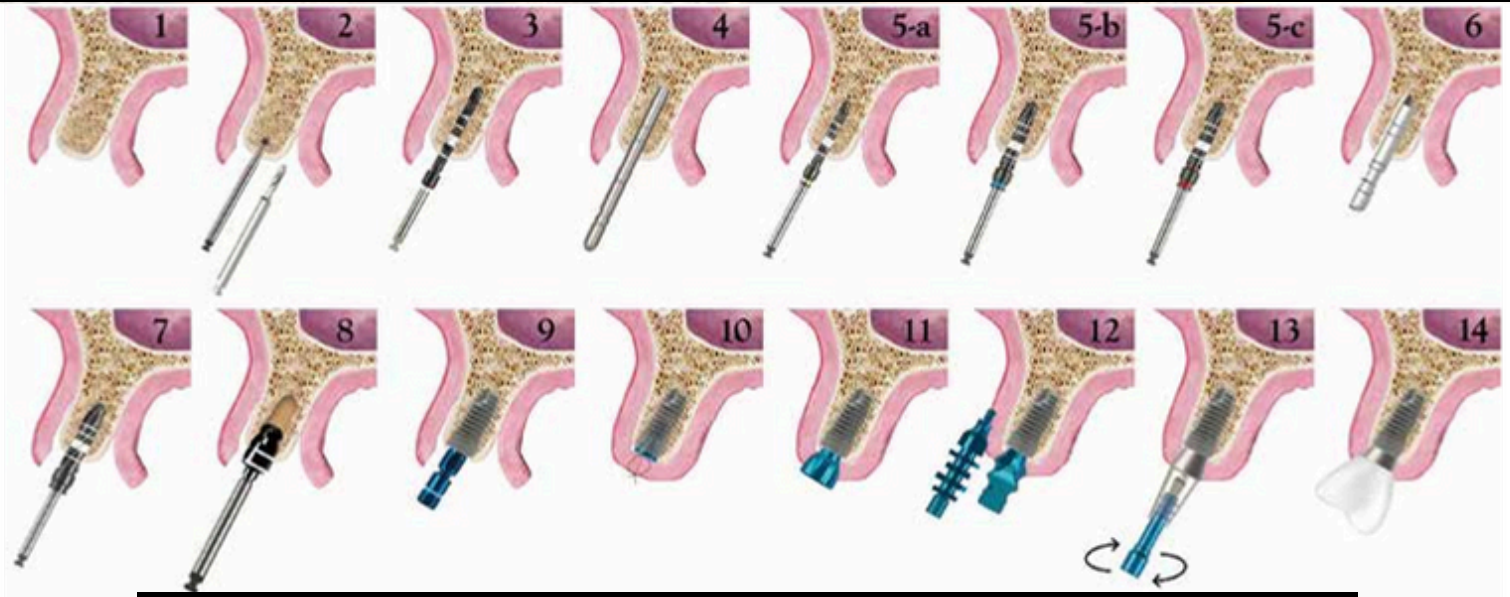
## Sandblasted, Large Grit, Acid-Etched (SLA) Surface



PTI implants have an ideal homogenous rough surface with  $1.8 \mu\text{m Ra}$  as a consequence of sandblasting and double etching process. This SLA surface provides the best degree of roughness for osseointegration by increasing the implant-bone contact area.



EDAX (Energy Dispersive X-ray) analysis showed that no element was found causing biocontamination and influencing osseointegration negatively.



With Surgical Contra - Angle Handpiece (20:1);  
 Ideal drilling (preparing the implant drill hole) speed: 800 - 900 rpm / Ideal implant placement speed: 30 - 40 rpm, torque: 30 - 40 Ncm

1. The mucoperiosteal flap is reflected and the bone is exposed.
2. The implant position is marked with a marking drill.
3. The precise depth of the implant is determined by making an implant bed with a pilot drill.
4. The depth and angle of the implant is controlled with an alignment pin.
- 5 (a-c). The implant bed is widened sequentially with the drills till the final drill that is appropriate for the planned implant size and length.
6. The implant bed depth and angular accuracy is controlled with a parallel pin.
7. The implant bed is ready for implant placement after final drill.
8. To prevent the compressive strengths and marginal bone loss around the neck of implant, the cortical drills must be used specially for dense bones.

9. The implant is taken from its sterile vial with the aid of a ratchet adapter and is placed into the implant bed using a ratchet adapter turning it clockwise or a handpiece with a maximum speed of 40 rpm and maximum torque of 40Ncm.
10. Following the placement of implant, the cover screw is placed and tightened turning it clockwise to prevent the soft tissue ingrowth and then mucoperiosteal flap is closed.
11. After the 8-12 weeks osseointegration period, implant is exposed, cover screw is removed and appropriate healing cap is placed for gingival adaptation.
12. Following gingival adaptation an impression is taken with an open or closed tray impression technique.
13. The appropriate abutment is selected from the abutment options and is fixed using abutment screw at a torque of 30 Ncm.
14. The crown prepared is cemented or screwed over the abutment.

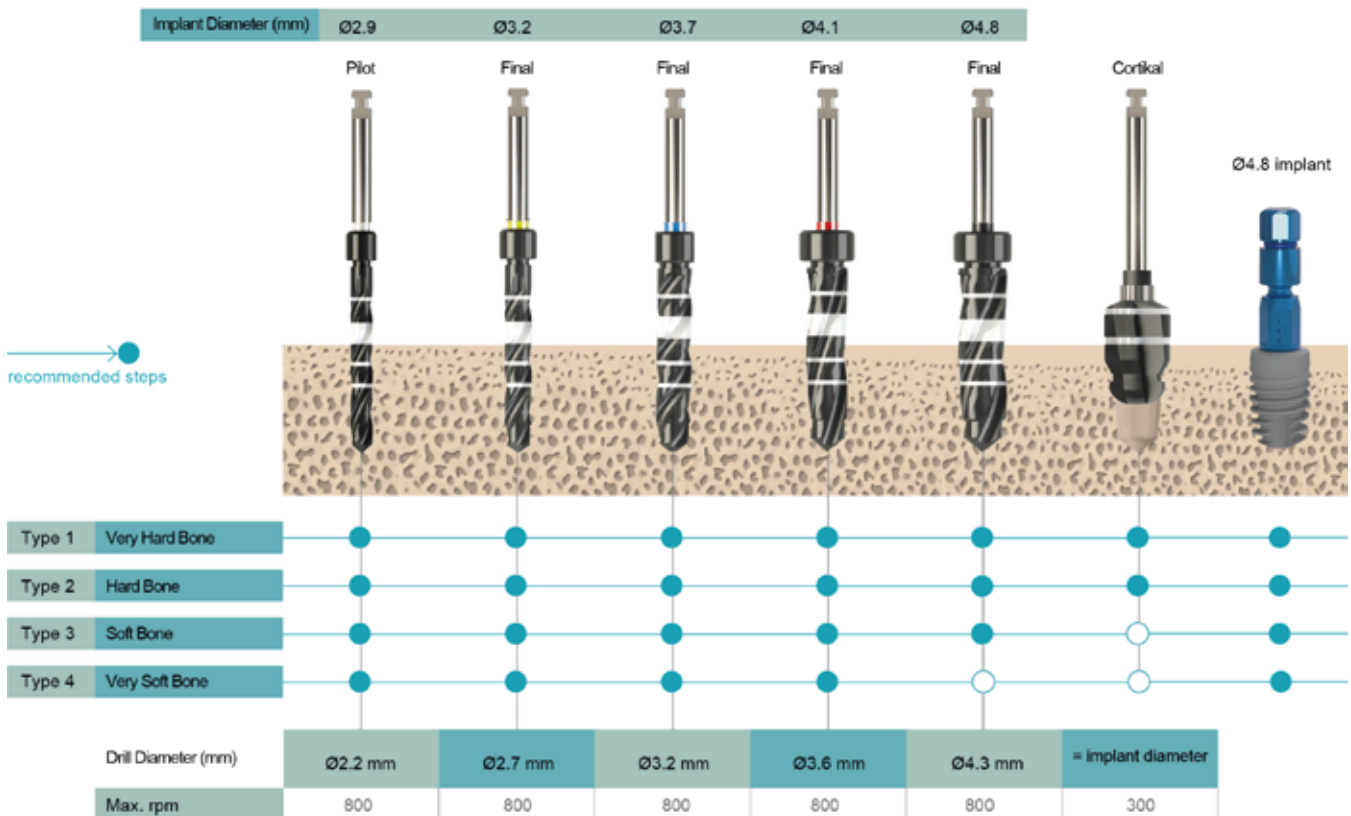


Figure 1. Recommended drilling procedure for placement of bone level implants based on bone types



The box is opened.



The blister pack is removed from the box.



The tyvek paper is removed.



The cap of the implant vial is opened turning it clockwise. Do not use a product with a broken security ring. The sealing ring inside of the cap provides extra security in addition to tyvek paper to ensure sterilization.



The implant is placed on a sterile table after it is opened. A medically compatible transparent plastic body protects the implant from a contact with foreign materials.



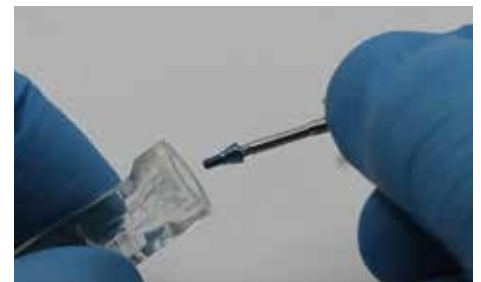
The insertion tool is attached to the color coded transfer piece (yellow or blue) that is mounted on the implant. Delicate manufacturing and the silicon ring prevents implant falling into the mouth.



The implant is removed from the transparent plastic body turning the ratchet 90° angle. The transfer piece is removed by pulling upwards following the placement of implant into implant bed.



The silicon cap is removed to take the cover screw from the box.



The screwdriver (SCS) is mounted on the cover screw. It is gently pressed and removed pulling upwards.

“Laughter is a tranquilizer with no side effects.” Arnoldt Glashow

Smile with PTI

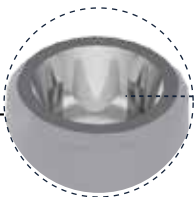
1. Four corner connection that facilitates and accelerates impression procedures and try-ins.



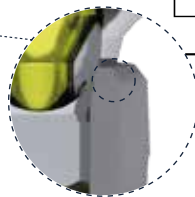
4. Conical screw connection that minimizes the risk of screw loosening



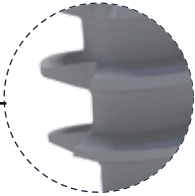
2. Conical connection that minimizes the risk of loosening of abutment screw and ensures long term stability



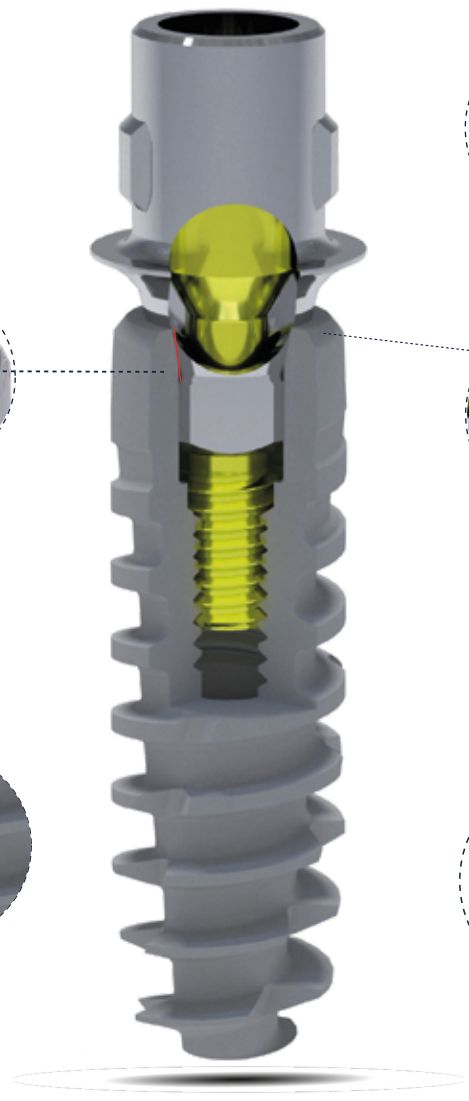
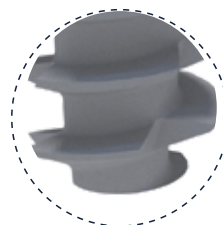
5. Platform switching feature that prevents marginal bone loss



3. Square macro-thread design ensures implant insertion at low torque values, uniform force distribution and increases primary stability

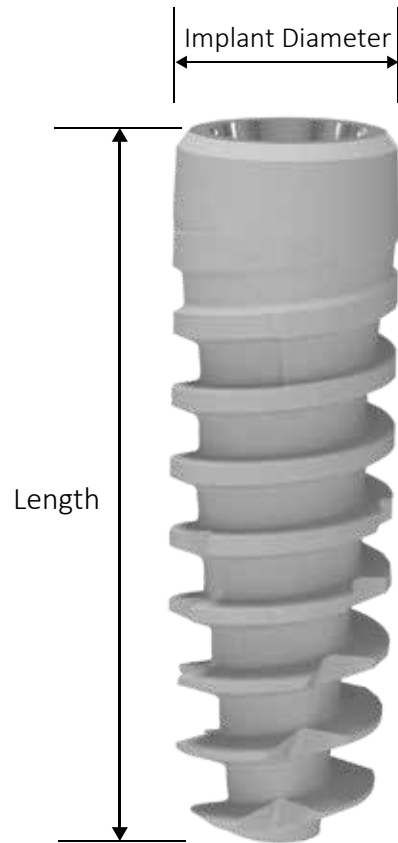


6. Self-tapping design that facilitates implant placement and increases primary stability



B6pro® implants were designed for a natural look and sensation providing great flexibility and a balanced prosthetic portfolio for every indication. It stands for excellent clinical performance, superior esthetics and high patient satisfaction in daily practice.

# IMPLANTS OVERVIEW



Product No.	Implant Diameter	Length	
G-PBL2910	Ø 2.9 mm	10 mm	Slim (SP, M1.4)
G-PBL2912		12 mm	
G-PBL2914		14 mm	
G-PBL3208	Ø 3.2 mm	8 mm	Narrow Platform (yellow) (NP, M1.6)
G-PBL3210		10 mm	
G-PBL3212		12 mm	
G-PBL3214		14 mm	
G-PBL3708	Ø 3.7 mm	8 mm	Regular Platform (Blue) (RP, M1.8)
G-PBL3710		10 mm	
G-PBL3712		12 mm	
G-PBL3714		14 mm	
G-PBL4108	Ø 4.1 mm	8 mm	Regular Platform (Blue) (RP, M1.8)
G-PBL4110		10 mm	
G-PBL4112		12 mm	
G-PBL4114		14 mm	
G-PBL4808	Ø 4.8 mm	8 mm	Regular Platform (Blue) (RP, M1.8)
G-PBL4810		10 mm	
G-PBL4812		12 mm	

# Ø2.9 mm Slim (SP) Implant

- Ø2.9 mm slim implant is specifically engineered to address esthetic challenges in compromised situations such as narrow interdental spaces or reduced bone height
- Enjoy the privilege of the Ø2.9 mm slim implant in the aesthetic zone and where narrow diameter implant use is indicated
- Easy handling
- Ensured precision against rotation and long-term mechanical stability
- Guidance by 4 grooves for precise positioning
- 8° conical connection
- 
- 
- 

Do not use  
in bridge restorations !



G-PBL2910	G-PBL2912	G-PBL2914	Product No.
10	12	14	Length (mm)

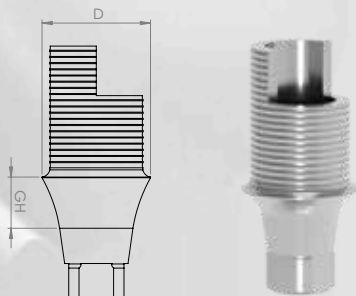
## Indications

Lateral incisors (maxilla)



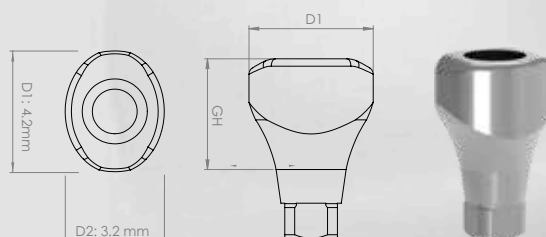
Cental and lateral incisors (mandible)

### Ti - Base Angled Abutments (for Ø2.9 implant)



D	GH	Product No.
3.5 mm	1 mm	BLATIBLAGH1SP
	2 mm	BLATIBLAGH2SP
	3 mm	BLATIBLAGH3SP

### Healing Caps



D1 x D2	GH	Product No.
4.2 x 3.2 mm	2.5 mm	BLHCH25SP
	4 mm	BLHCH4SP
	6 mm	BLHCH6SP

### Impression Post Open Tray

Product No.  
IP0021



### Impression Post Closed Tray

Product No.  
IP 0023



### Analog

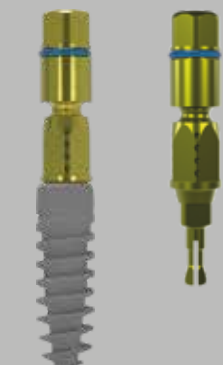
Product No.  
IP 0025



## Transfer Pieces

Transfer Piece for  $\varnothing 3.2$  and  $\varnothing 3.7$  Bone Level Implants

PTPNP



Bone Level  
Narrow Platform

Transfer Piece for  $\varnothing 4.1$  and  $\varnothing 4.8$  Bone Level Implants

PTPRP



Bone Level  
Regular Platform

The transfer piece has an easily removable system following the implant placement. It has a safety ring breaking at a force of 125 Ncm in dense bone preventing marginal bone loss and protecting the inner surface of implant.

## Cover Screws

Cover Screws for  $\varnothing 3.2$  and  $\varnothing 3.7$  Bone Level Implants

PCSNP



Bone Level  
Narrow Platform

Cover Screws for  $\varnothing 4.1$  and  $\varnothing 4.8$  Bone Level Implants

PCSRP

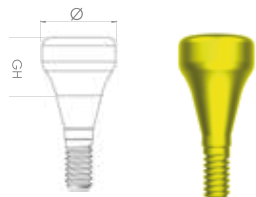


Bone Level  
Regular Platform

Compatible with inner structure of the implant with leakproof feature

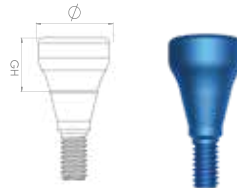
## Healing Caps

Narrow Platform Healing Caps  
( $\varnothing 3.2$  and  $\varnothing 3.7$  Implants)



Diameter (mm)	Gingival Height (GH)	Product No.
$\varnothing 3.5$	3 mm	BLHC35H3NP
$\varnothing 3.5$	4 mm	BLHC35H4NP
$\varnothing 3.5$	6 mm	BLHC35H6NP
$\varnothing 4.5$	3 mm	BLHC45H3NP
$\varnothing 4.5$	4 mm	BLHC45H4NP
$\varnothing 4.5$	6 mm	BLHC45H6NP

Regular Platform Healing Caps  
( $\varnothing 4.1$  and  $\varnothing 4.8$  Implants)



Diameter (mm)	Gingival Height (GH)	Product No.
$\varnothing 5.0$	3 mm	BLHC50H3RP
$\varnothing 5.0$	4 mm	BLHC50H4RP
$\varnothing 5.0$	6 mm	BLHC50H6RP
$\varnothing 6.5$	3 mm	BLHC65H3RP
$\varnothing 6.5$	4 mm	BLHC65H4RP
$\varnothing 6.5$	6 mm	BLHC65H6RP

Screw Retained (Multi-Unit) Healing Cap



Diameter (mm)	Gingival Height (GH)	Product No.
$\varnothing 4.5$	4.9 mm	BLHCMLT



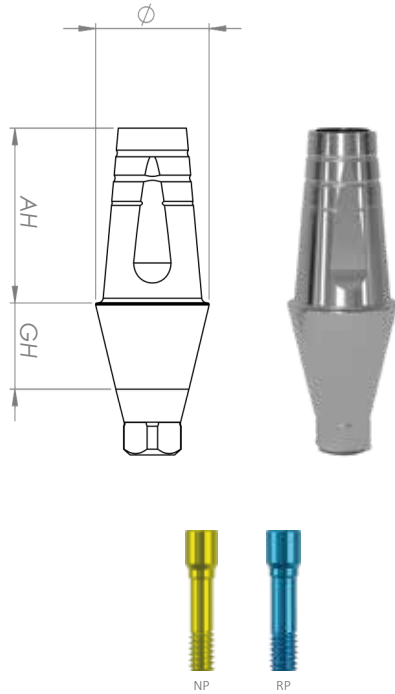
# ABUTMENTS

The loading torque value on all abutments is **30 Ncm**.

For multi-unit abutments, the loading torques **30 Ncm** and the secondary occlusal top screw torque is **15 Ncm**.

# Cement Retained Abutments

## Straight Abutments

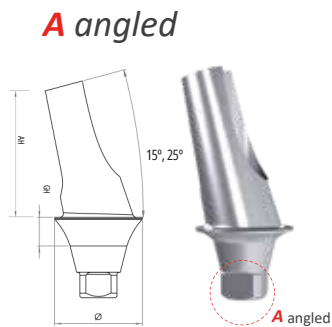


Narrow Platform

Regular Platform

Diameter (mm)	Ging. Height (GH)	AH	Product No.
Ø3.5	1 mm	5.5 mm	BLSA35GH1AH55NP
Ø3.5	2 mm	5.5 mm	BLSA35GH2AH55NP
Ø3.5	3 mm	5.5 mm	BLSA35GH3AH55NP
Ø3.5	4 mm	5.5 mm	BLSA35GH4AH55NP
Ø3.5	5 mm	5.5 mm	BLSA35GH5AH55NP
Ø4.5	1 mm	7 mm	BLSA45GH1AH7NP
Ø4.5	2 mm	7 mm	BLSA45GH2AH7NP
Ø4.5	3 mm	7 mm	BLSA45GH3AH7NP
Ø4.5	4 mm	7 mm	BLSA45GH4AH7NP
Ø4.5	5 mm	7 mm	BLSA45GH5AH7NP
Ø5	1 mm	7 mm	BLSA50GH1AH7RP
Ø5	2 mm	7 mm	BLSA50GH2AH7RP
Ø5	3 mm	7 mm	BLSA50GH3AH7RP
Ø5	4 mm	7 mm	BLSA50GH4AH7RP
Ø5	5 mm	7 mm	BLSA50GH5AH7RP
Ø6	1 mm	7 mm	BLSA60GH1AH7RP
Ø6	2 mm	7 mm	BLSA60GH2AH7RP
Ø6	3 mm	7 mm	BLSA60GH3AH7RP
Ø6	4 mm	7 mm	BLSA60GH4AH7RP
Ø6	5 mm	7 mm	BLSA60GH5AH7RP

## Angled Abutments



**A angled**



**B angled**

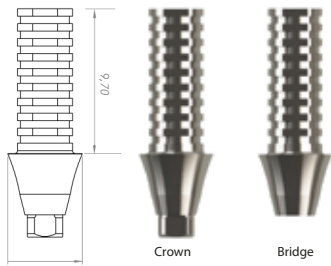
Narrow Platform

Regular Platform

Angle	Ging. Height (GH)	AH	Product No. A angled / B angled
15°	1 mm	7 mm	BLAAA15GH1AH7NP / BLAAB15GH1AH7NP
15°	2 mm	7 mm	BLAAA15GH2AH7NP / BLAAB15GH2AH7NP
15°	3 mm	7 mm	BLAAA15GH3AH7NP / BLAAB15GH3AH7NP
15°	4 mm	7 mm	BLAAA15GH4AH7NP / BLAAB15GH4AH7NP
25°	1 mm	7 mm	BLAAA25GH1AH7NP / BLAAB25GH1AH7NP
25°	2 mm	7 mm	BLAAA25GH2AH7NP / BLAAB25GH2AH7NP
25°	3 mm	7 mm	BLAAA25GH3AH7NP / BLAAB25GH3AH7NP
25°	4 mm	7 mm	BLAAA25GH4AH7NP / BLAAB25GH4AH7NP
15°	1 mm	7 mm	BLAAA15GH1AH7RP / BLAAB15GH1AH7RP
15°	2 mm	7 mm	BLAAA15GH2AH7RP / BLAAB15GH2AH7RP
15°	3 mm	7 mm	BLAAA15GH3AH7RP / BLAAB15GH3AH7RP
15°	4 mm	7 mm	BLAAA15GH4AH7RP / BLAAB15GH4AH7RP
25°	1 mm	7 mm	BLAAA25GH1AH7RP / BLAAB25GH1AH7RP
25°	2 mm	7 mm	BLAAA25GH2AH7RP / BLAAB25GH2AH7RP
25°	3 mm	7 mm	BLAAA25GH3AH7RP / BLAAB25GH3AH7RP
25°	4 mm	7 mm	BLAAA25GH4AH7RP / BLAAB25GH4AH7RP

A and B type angled abutments attached to implants in 8 different positions are produced in order to increase placement options. Thus, the need for abutment preparation is reduced.

# Temporary Abutments



	Diameter (mm)		GH		AH		Crown (Lock) Product No.		Bridge (NoLock) Product No.			
	Ø4.3	Ø4.3	1 mm	2 mm	3 mm	4 mm	5 mm	9.7mm	9.7mm	9.7mm		
Narrow Platform	Ø4.3	Ø4.3	1 mm	2 mm	3 mm	4 mm	5 mm	BLTAGH1LNP	BLTAGH2LNP	BLTAGH3LNP	BLTAGH4LNP	BLTAGH5LNP
	Ø4.3	Ø4.3	1 mm	2 mm	3 mm	4 mm	5 mm	BLTAGH1NLRP	BLTAGH2NLRP	BLTAGH3NLRP	BLTAGH4NLRP	BLTAGH5NLRP
	Ø5.0	Ø5.0	1 mm	2 mm	3 mm	4 mm	5 mm	BLTAGH1LRP	BLTAGH2LRP	BLTAGH3LRP	BLTAGH4LRP	BLTAGH5LRP
	Ø5.0	Ø5.0	1 mm	2 mm	3 mm	4 mm	5 mm	BLTAGH1LRP	BLTAGH2LRP	BLTAGH3LRP	BLTAGH4LRP	BLTAGH5LRP
	Ø5.0	Ø5.0	1 mm	2 mm	3 mm	4 mm	5 mm	BLTAGH1LRP	BLTAGH2LRP	BLTAGH3LRP	BLTAGH4LRP	BLTAGH5LRP

# Multi-unit Temporary Abutments

**Crown**



BLMLTAL

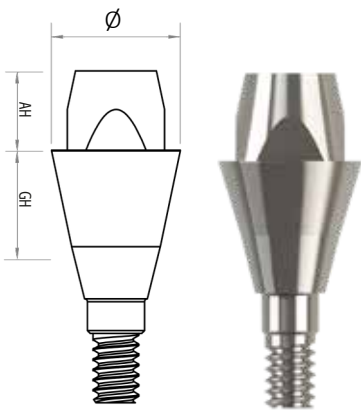
**Bridge**



BLMLTANL

# Screw Retained (Multi-unit) Abutments

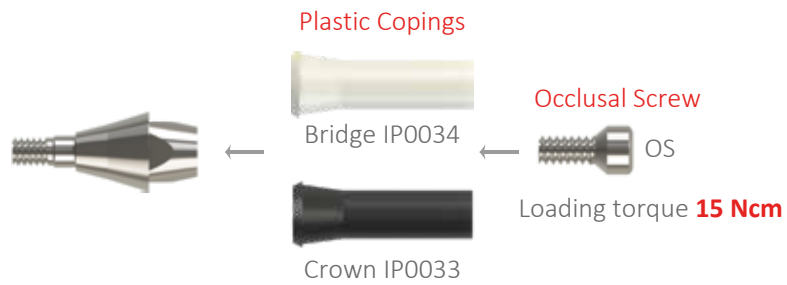
## Straight Multi-unit Abutments



Narrow Platform

Regular Platform

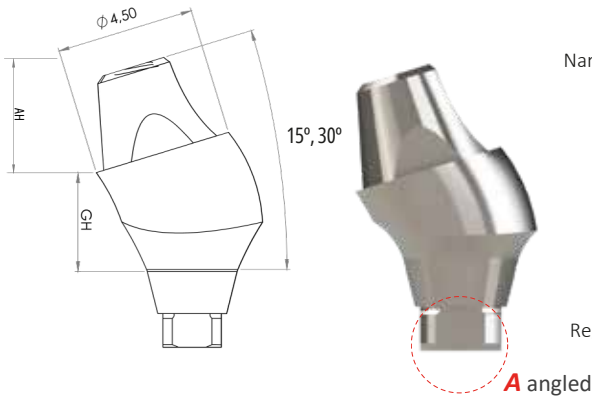
Diameter (mm)	Ging. Height (GH)	AH	Product No.
Ø4.5	1 mm	2.7 mm	BLMLTSA45GH1NP
Ø4.5	2 mm	2.7 mm	BLMLTSA45GH2NP
Ø4.5	3 mm	2.7 mm	BLMLTSA45GH3NP
Ø4.5	4 mm	2.7 mm	BLMLTSA45GH4NP
Ø4.5	5 mm	2.7 mm	BLMLTSA45GH5NP
Ø4.5	1 mm	2.7 mm	BLMLTSA45GH1RP
Ø4.5	2 mm	2.7 mm	BLMLTSA45GH2RP
Ø4.5	3 mm	2.7 mm	BLMLTSA45GH3RP
Ø4.5	4 mm	2.7 mm	BLMLTSA45GH4RP
Ø4.5	5 mm	2.7 mm	BLMLTSA45GH5RP



# Screw Retained (Multi-unit) Abutments

## Angled Multi-unit Abutments

### A angled abutments



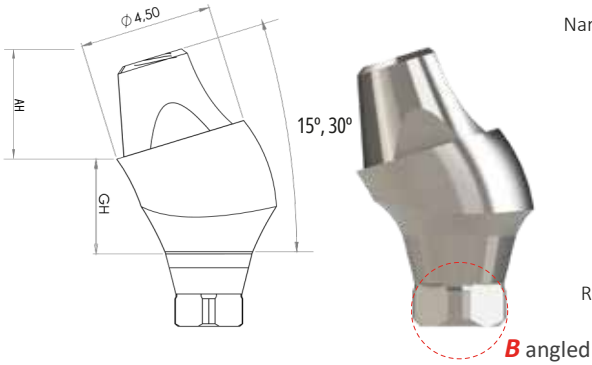
Narrow Platform ●

Regular Platform ●

A angled

Angle	Ging. Height (GH)	AH	Product No.
15°	1 mm	2.7 mm	BLMLTAAA15GH1NP
15°	2 mm	2.7 mm	BLMLTAAA15GH2NP
15°	3 mm	2.7 mm	BLMLTAAA15GH3NP
15°	4 mm	2.7 mm	BLMLTAAA15GH4NP
30°	1 mm	2.7 mm	BLMLTAAA30GH1NP
30°	2 mm	2.7 mm	BLMLTAAA30GH2NP
30°	3 mm	2.7 mm	BLMLTAAA30GH3NP
30°	4 mm	2.7 mm	BLMLTAAA30GH4NP
15°	1 mm	2.7 mm	BLMLTAAA15GH1RP
15°	2 mm	2.7 mm	BLMLTAAA15GH2RP
15°	3 mm	2.7 mm	BLMLTAAA15GH3RP
15°	4 mm	2.7 mm	BLMLTAAA15GH4RP
30°	1 mm	2.7 mm	BLMLTAAA30GH1RP
30°	2 mm	2.7 mm	BLMLTAAA30GH2RP
30°	3 mm	2.7 mm	BLMLTAAA30GH3RP
30°	4 mm	2.7 mm	BLMLTAAA30GH4RP

### B angled abutments



Narrow Platform ●

Regular Platform ●

B angled

Angle	Ging. Height (GH)	AH	Product No.
15°	1 mm	2.7 mm	BLMLTAAB15GH1NP
15°	2 mm	2.7 mm	BLMLTAAB15GH2NP
15°	3 mm	2.7 mm	BLMLTAAB15GH3NP
15°	4 mm	2.7 mm	BLMLTAAB15GH4NP
30°	1 mm	2.7 mm	BLMLTAAB30GH1NP
30°	2 mm	2.7 mm	BLMLTAAB30GH2NP
30°	3 mm	2.7 mm	BLMLTAAB30GH3NP
30°	4 mm	2.7 mm	BLMLTAAB30GH4NP
15°	1 mm	2.7 mm	BLMLTAAB15GH1RP
15°	2 mm	2.7 mm	BLMLTAAB15GH2RP
15°	3 mm	2.7 mm	BLMLTAAB15GH3RP
15°	4 mm	2.7 mm	BLMLTAAB15GH4RP
30°	1 mm	2.7 mm	BLMLTAAB30GH1RP
30°	2 mm	2.7 mm	BLMLTAAB30GH2RP
30°	3 mm	2.7 mm	BLMLTAAB30GH3RP
30°	4 mm	2.7 mm	BLMLTAAB30GH4RP

### Abutment Screw

Product No. Narrow Platform AMLTASNP  
Regular Platform AMLTASRP

### Plastic Copings



### Occlusal Screw



Bridge IP0034



Loading torque **15 Ncm**

Crown IP0033

Loading torque **30 Ncm**

# LOC-BIL<sup>®</sup> Retentive System

This connection is specially designed for you and your patient.  
Feel the comfort and reliability.



## DLC SURFACE

DLCcoated locator abutments show less bacteria and calculus accumulation thanks to its scratch-free surface hardness and smoothness.



## DIVERGENCE COMPENSATION

In combination with the angled Loc-bil<sup>®</sup> abutments they can be used to compensate for divergences of up to 70° between the implants.



## GINGIVA HEIGHTS

There is 5 gingiva heights for the straight and angled abutments

## PEEK MATRICES

PEEK insert offered sufficient retention for long-term use over 30,000 insertion-separating cycles, both for orthogonal and tilted implants.

## Straight and 15° Angled Loc-bil<sup>®</sup> Abutments



GH 2 mm 3 mm 4 mm 5 mm 6 mm



GH 2 mm 3 mm 4 mm 5 mm 6 mm \*

\*All angled Loc-bil abutments are available in types A and B, where they can be seated on the implant in 8 different positions.



### PERFORMANCE

Excellent material, delivering high wear resistance and smoothness



### FLEXIBILITY

Flexibility to compensate for poorly positioned implants



### USABILITY

All components of the lock system are easy to use



### PATIENT COMFORT

Provides much more comfort for your patient than other hybrid systems



### QUALITY

Trust Loc-bil quality and the science

# Locator (Loc-bil<sup>®</sup>) Abutments

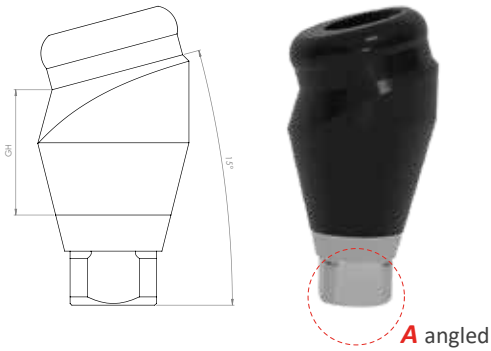
## Straight Abutments



	Ging. Height (GH)	Product No.
Narrow Platform	2 mm	BLOGGH2NP
	3 mm	BLOGGH3NP
	4 mm	BLOGGH4NP
	5 mm	BLOGGH5NP
	6 mm	BLOGGH6NP
	Regular Platform	2 mm
3 mm		BLOGGH3RP
4 mm		BLOGGH4RP
5 mm		BLOGGH5RP
6 mm		BLOGGH6RP

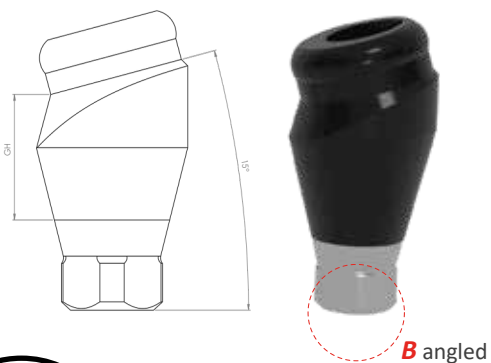
## Angled Abutments

### A angled abutments



	Angle	Ging. Height (GH)	Product No.
Narrow Platform	15°	2 mm	BLOCA15GH2NP
	15°	3 mm	BLOCA15GH3NP
	15°	4 mm	BLOCA15GH4NP
	15°	5 mm	BLOCA15GH5NP
	15°	6 mm	BLOCA15GH6NP
	Regular Platform	15°	2 mm
15°		3 mm	BLOCA15GH3RP
15°		4 mm	BLOCA15GH4RP
15°		5 mm	BLOCA15GH5RP
15°		6 mm	BLOCA15GH6RP

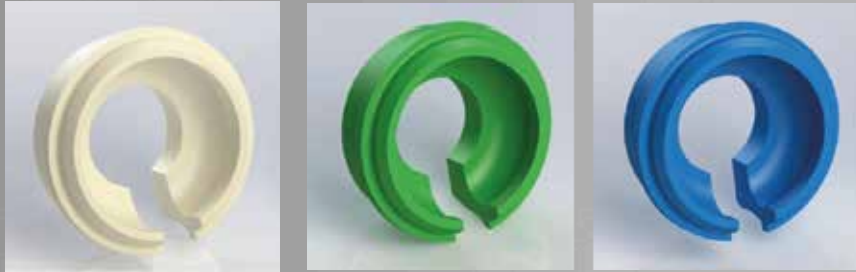
### B angled abutments



	Angle	Ging. Height (GH)	Product No.
Narrow Platform	15°	2 mm	BLOCB15GH2NP
	15°	3 mm	BLOCB15GH3NP
	15°	4 mm	BLOCB15GH4NP
	15°	5 mm	BLOCB15GH5NP
	15°	6 mm	BLOCB15GH6NP
	Regular Platform	15°	2 mm
15°		3 mm	BLOCB15GH3RP
15°		4 mm	BLOCB15GH4RP
15°		5 mm	BLOCB15GH5RP
15°		6 mm	BLOCB15GH6RP

# Locator (Loc-bil®) PEEK Inserts and Instruments

**PEEK Retention Inserts are Compatible with All Popular Implant Locator Systems\***



**Light**  
1130 g

**Medium**  
1820 g

**Strong**  
2260 g

### **Easy - to - Use Hand Tools**

*PEEK retention inserts can be easily inserted or removed into the matrix housing in a few seconds with a stress-free handling.*

The Loc-bil® matrix system with its newly developed technology is a prefabricated connector for retaining removable restorations on universal locator abutments. The matrix system is available titanium housing + coloured PEEK. In combination with the Loc-bil® abutment the matrix system has an impressive service life and functionality.



PEEK Retention Insert Instrument

Matrix Housing Extraction Instrument

Processing Insert Removal Instrument

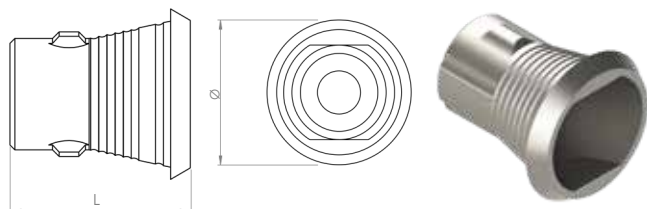
B6pro® Loc-bil® metal housing and PEEK inserts should be used together.



# Ti-BASE ABUTMENTS

# Multi-unit Ti-Base Abutments

## Crown



Height (L)

Product No.

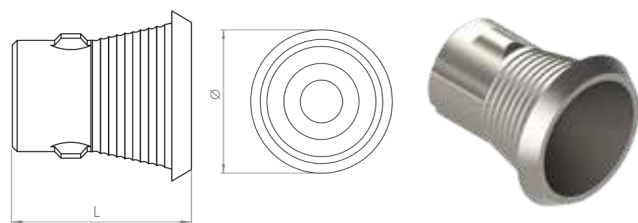
3.5 mm

BLSMLTIBLAH35

5.5 mm

BLSMLTIBLAH55

## Bridge



Height (L)

Product No.

3.5 mm

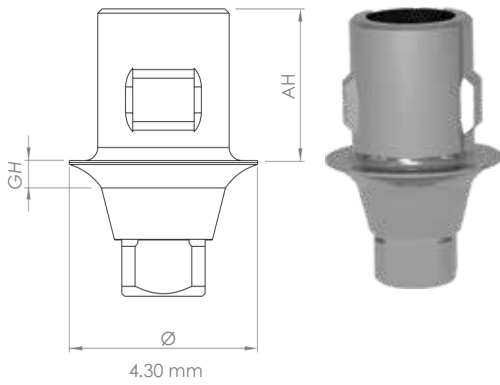
BLSMLTIBNLAH35

5.5 mm

BLSMLTIBNLAH55

# Ti-Base **Straight** Abutments

## Crown Straight

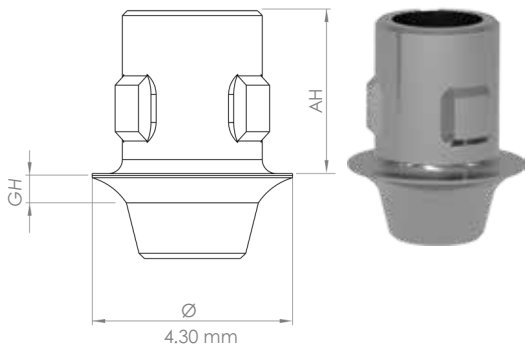


Narrow Platform

Regular Platform

Ging. Height (GH)	Abutment Height (AH)	Product No.
1 mm	3.5 mm	BLSTIBLAH35GH1NP
2 mm	3.5 mm	BLSTIBLAH35GH2NP
3 mm	3.5 mm	BLSTIBLAH35GH3NP
4 mm	3.5 mm	BLSTIBLAH35GH4NP
5 mm	3.5 mm	BLSTIBLAH35GH5NP
1 mm	5.5 mm	BLSTIBLAH55GH1NP
2 mm	5.5 mm	BLSTIBLAH55GH2NP
3 mm	5.5 mm	BLSTIBLAH55GH3NP
4 mm	5.5 mm	BLSTIBLAH55GH4NP
5 mm	5.5 mm	BLSTIBLAH55GH5NP
1 mm	3.5 mm	BLSTIBLAH35GH1RP
2 mm	3.5 mm	BLSTIBLAH35GH2RP
3 mm	3.5 mm	BLSTIBLAH35GH3RP
4 mm	3.5 mm	BLSTIBLAH35GH4RP
5 mm	3.5 mm	BLSTIBLAH35GH5RP
1 mm	5.5 mm	BLSTIBLAH55GH1RP
2 mm	5.5 mm	BLSTIBLAH55GH2RP
3 mm	5.5 mm	BLSTIBLAH55GH3RP
4 mm	5.5 mm	BLSTIBLAH55GH4RP
5 mm	5.5 mm	BLSTIBLAH55GH5RP

## Bridge Straight



Narrow Platform

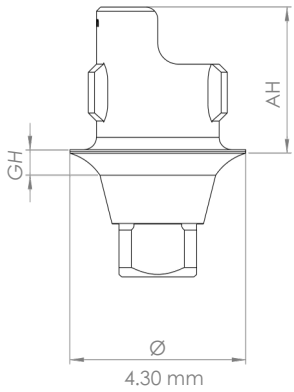
Regular Platform

Ging. Height (GH)	Abutment Height (AH)	Product No.
1 mm	3.5 mm	BLSTIBNLAH35GH1NP
2 mm	3.5 mm	BLSTIBNLAH35GH2NP
3 mm	3.5 mm	BLSTIBNLAH35GH3NP
4 mm	3.5 mm	BLSTIBNLAH35GH4NP
5 mm	3.5 mm	BLSTIBNLAH35GH5NP
1 mm	5.5 mm	BLSTIBNLAH55GH1NP
2 mm	5.5 mm	BLSTIBNLAH55GH2NP
3 mm	5.5 mm	BLSTIBNLAH55GH3NP
4 mm	5.5 mm	BLSTIBNLAH55GH4NP
5 mm	5.5 mm	BLSTIBNLAH55GH5NP
1 mm	3.5 mm	BLSTIBNLAH35GH1RP
2 mm	3.5 mm	BLSTIBNLAH35GH2RP
3 mm	3.5 mm	BLSTIBNLAH35GH3RP
4 mm	3.5 mm	BLSTIBNLAH35GH4RP
5 mm	3.5 mm	BLSTIBNLAH35GH5RP
1 mm	5.5 mm	BLSTIBNLAH55GH1RP
2 mm	5.5 mm	BLSTIBNLAH55GH2RP
3 mm	5.5 mm	BLSTIBNLAH55GH3RP
4 mm	5.5 mm	BLSTIBNLAH55GH4RP
5 mm	5.5 mm	BLSTIBNLAH55GH5RP

# Ti-Base Angled Abutments

## Crown

### Angled



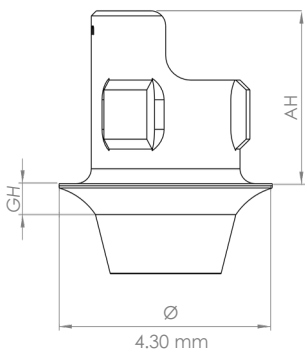
Narrow Platform ●

Regular Platform ●

Ging. Height (GH)	Abutment Height (AH)	Product No.
1 mm	3.5 mm	BLATIBLAH35GH1NP
1 mm	5.5 mm	BLATIBLAH55GH1NP
1 mm	3.5 mm	BLATIBLAH35GH1RP
1 mm	5.5 mm	BLATIBLAH55GH1RP

## Bridge

### Angled



Narrow Platform ●

Regular Platform ●

Ging. Height (GH)	Abutment Height (AH)	Product No.
1 mm	3.5 mm	BLATIBNLAH35GH1NP
1 mm	5.5 mm	BLATIBNLAH55GH1NP
1 mm	3.5 mm	BLATIBNLAH35GH1RP
1 mm	5.5 mm	BLATIBNLAH55GH1RP



“Quality is the only fact that can not be defeated by time.”

## Digital Analogs



NP, M1.6  
IPO059



RP, M1.8  
IPO060



Multi-unit, NP & RP  
IPO061

## Digital Scan Bodies

Material: Titanium Grade V, special coating



Scan Body

Scan Bodies	Product No.
M1.4 (Ø 2.9 mm implant)	SB016
M1.6 (NP, Ø3.2-Ø3.7 mm implants)	SB011
M1.8 (RP, Ø4.1-Ø4.8 mm implants)	SB012



Multi-unit Scan Body

Multi-unit Scan Bodies	Product No.
Multi-unit (NP&RP)	SB013

NP : Narrow Platform (M1.6, Ø3.2 - Ø3.7 mm implant platform)

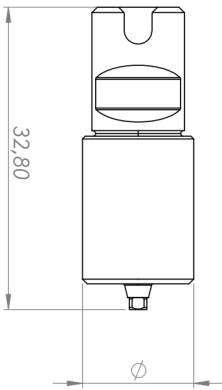
RP : Regular Platform (M1.8, Ø4.1 - Ø4.8 mm implant platform)



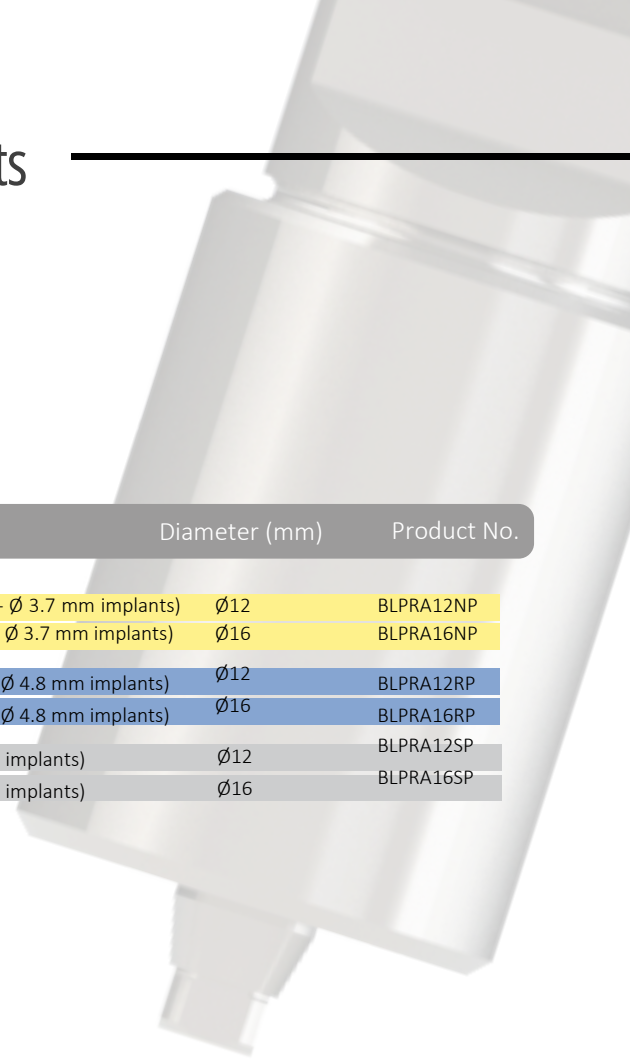
# PRE-MILL ABUTMENTS

Pre-milled abutments are used to create customized abutments in cases where stock abutments are not the solution.

# Pre-mill Abutments



Platform	Diameter (mm)	Product No.
Narrow (For $\varnothing$ 3.2 - $\varnothing$ 3.7 mm implants)	$\varnothing$ 12	BLPRA12NP
Narrow (For $\varnothing$ 3.2 - $\varnothing$ 3.7 mm implants)	$\varnothing$ 16	BLPRA16NP
Regular (For $\varnothing$ 4.1- $\varnothing$ 4.8 mm implants)	$\varnothing$ 12	BLPRA12RP
Regular (For $\varnothing$ 4.1- $\varnothing$ 4.8 mm implants)	$\varnothing$ 16	BLPRA16RP
Slim (For $\varnothing$ 2.9 mm implants)	$\varnothing$ 12	BLPRA12SP
Slim (For $\varnothing$ 2.9 mm implants)	$\varnothing$ 16	BLPRA16SP

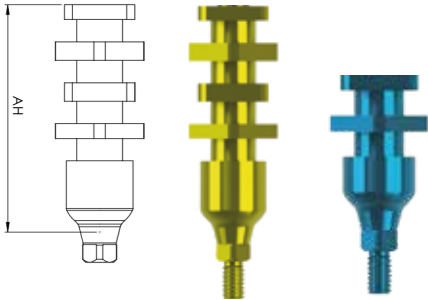




# IMPLANT LEVEL IMPRESSION COMPONENTS & ANALOGS

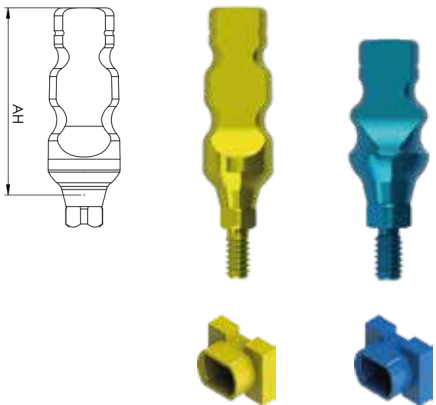
# Impression Components and Analogs

## Impression Post Open Tray



	Height (AH)	Product No.
Narrow Platform	8.5 mm (short)	IP0013
	15 mm (long)	IP0001
Regular Platform	8.5 mm (short)	IP0015
	15 mm (long)	IP0003

## Impression Post Closed Tray

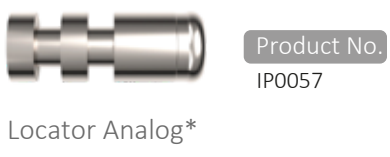
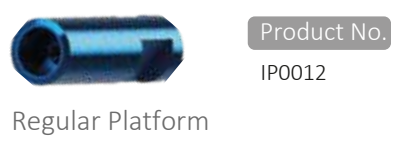
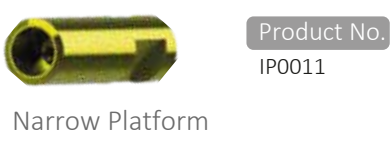


	Height (AH)	Product No.
Narrow Platform	9 mm (short)	IP0017
	12 mm (long)	IP0005
Regular Platform	9 mm (short)	IP0019
	12 mm (long)	IP0007

Product No. IP0009      Product No. IP0010

Impression Post Plastic Caps

## Analogs



\*These products are used with only Loc-bil® abutments



# ABUTMENT LEVEL IMPRESSION COMPONENTS & ANALOGS

# Screw Retained (Multi-unit) Impression Components and Analogs

Impression Post Open Tray

Product No. IP0026

Impression Post Closed Tray

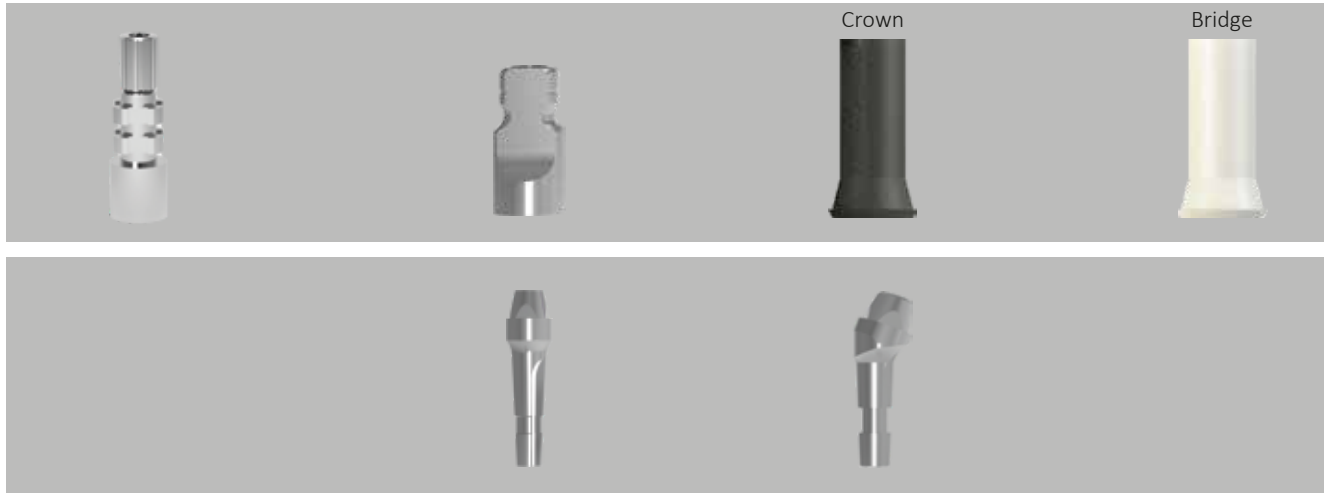
Product No. IP0028

Plastic Coping

Product No. IP0033

Plastic Coping

Product No. IP0034



\*Straight Analog

Product No. IP0030

\*15° Angled Analog

Product No. IP0031

\*Angled and straight analog platforms are absolutely the same and can be used in place of another. (NP&RP)



# INSTRUMENTS & ACCESSORIES

# Surgical Cassette



















Product No. CERS

The surgical set and its content professionally developed by our consultant team has been designed to be easily used by all clinicians and to meet all requirements for surgery.

Material: Polyphenylsulfone (PPSU)

## Accessories

		Product No.
	Marking Drill	PDSS
	Round Bur	PDRB
	Drill Extension	DEXT
	Alignment Pin	100AP
	Ø 3.2 Parallel Pin	101PP
	Ø 3.7 Parallel Pin	102PP
	Ø 4.1 Parallel Pin	103PP
	Ø 4.8 Parallel Pin	104PP
	Ratchet Adapter (Long, 24 mm)	TSP24
	Ratchet Adapter (Medium, 19 mm)	TSP19
	Ratchet Adapter (Short, 12 mm)	TSP12
	Contra-angle Adapter	TSPA21
	SCS Driver (Long, 28 mm)	SCSA28
	SCS Driver (Medium, 23 mm)	SCSA23
	SCS Driver (Short, 16 mm)	SCSA16
	SCS Driver (Angled)	ASCSA



Implant Removal Driver (SP, Ø 2.9 mm)

IDPSP



Implant Removal Driver (NP)

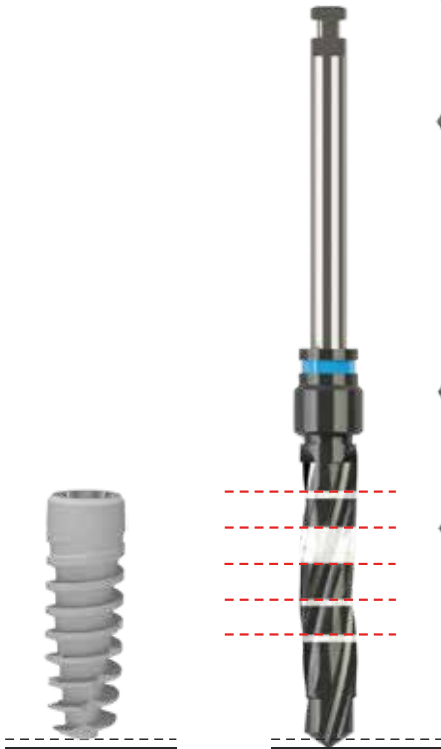
IDPNP



Implant Removal Driver (RP)

IDPRP

## Drills



Pilot (Short)  
 Pilot (Long)  
 Short  
 Long  
 Short  
 Long  
 Short  
 Long  
 Short  
 Long  
 Cortical  
 Cortical  
 Cortical  
 Cortical  
 Cortical  
 Cortical  
 Cortical  
 Bone Profiler  
 Bone Profiler

	Ø Drill	Ø Implant	Product No.
Pilot (Short)	Ø2.35	Ø2.9 Final	PD22
Pilot (Long)	Ø2.35	Ø2.9 Final	PDL22
Short	Ø2.7	Ø3.2 Final	ID32
Long	Ø2.7	Ø3.2 Final	IDL32
Short	Ø3.2	Ø3.7 Final	ID37
Long	Ø3.2	Ø3.7 Final	IDL37
Short	Ø3.6	Ø4.1 Final	ID41
Long	Ø3.6	Ø4.1 Final	IDL41
Short	Ø4.3	Ø4.8 Final	ID48
Long	Ø4.3	Ø4.8 Final	IDL48
Cortical	Ø2.9	Ø2.9	CD29
Cortical	Ø3.2	Ø3.2	CD32
Cortical	Ø3.7	Ø3.7	CD37
Cortical	Ø4.1	Ø4.1	CD41
Cortical	Ø4.8	Ø4.8	CD48
Bone Profiler	Ø4.8	Ø4.1 - Ø4.8	BLPONP
Bone Profiler	Ø4.8	Ø3.2 - Ø3.7	BLPORP

Deep Gauge

Product No. DG



Torque Wrench

Product No. TRCHTV2



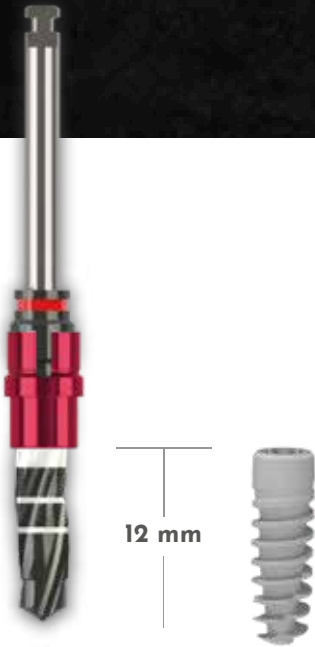
Hand Driver


Product No. HS

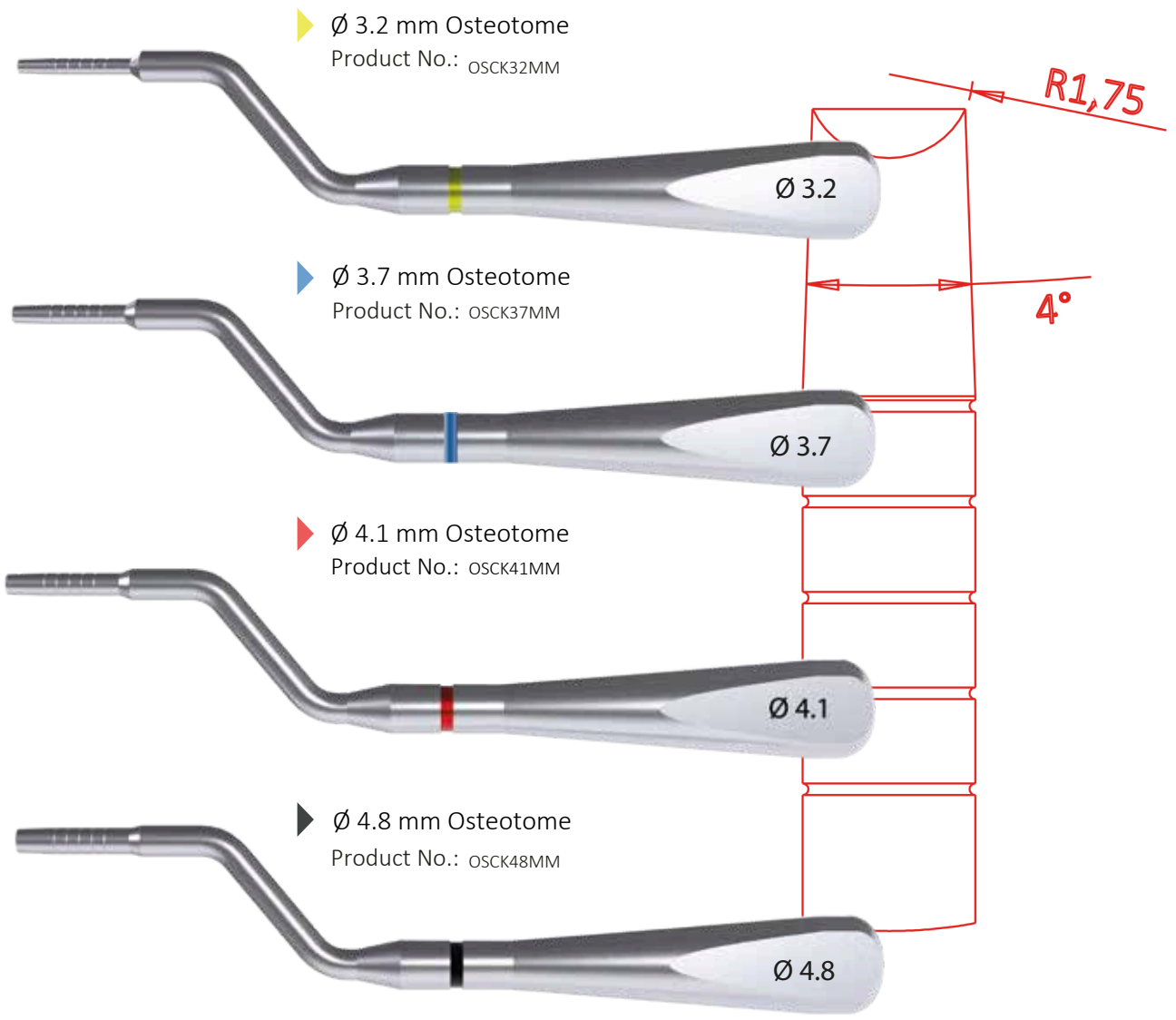


Gode

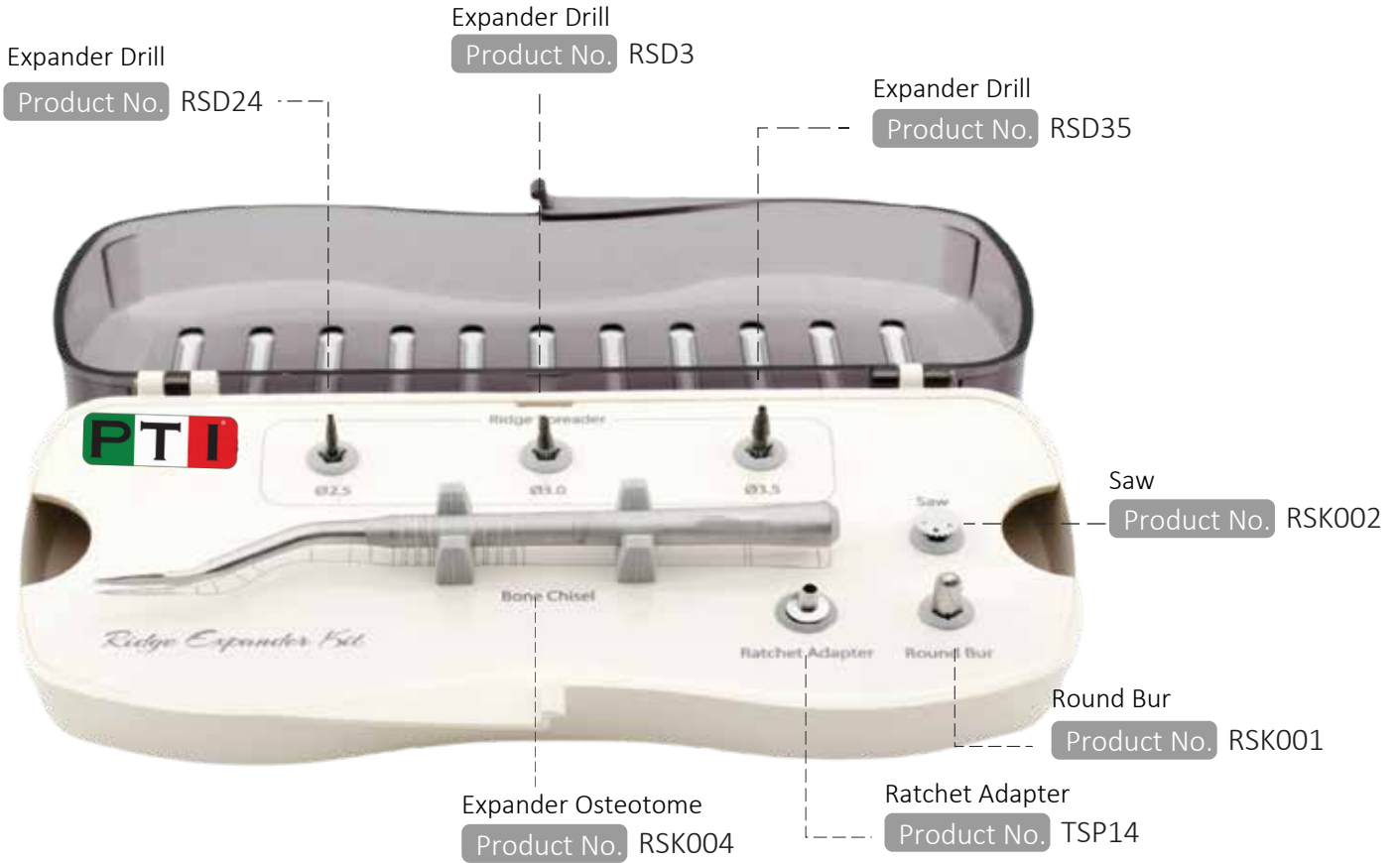
Product No. GD



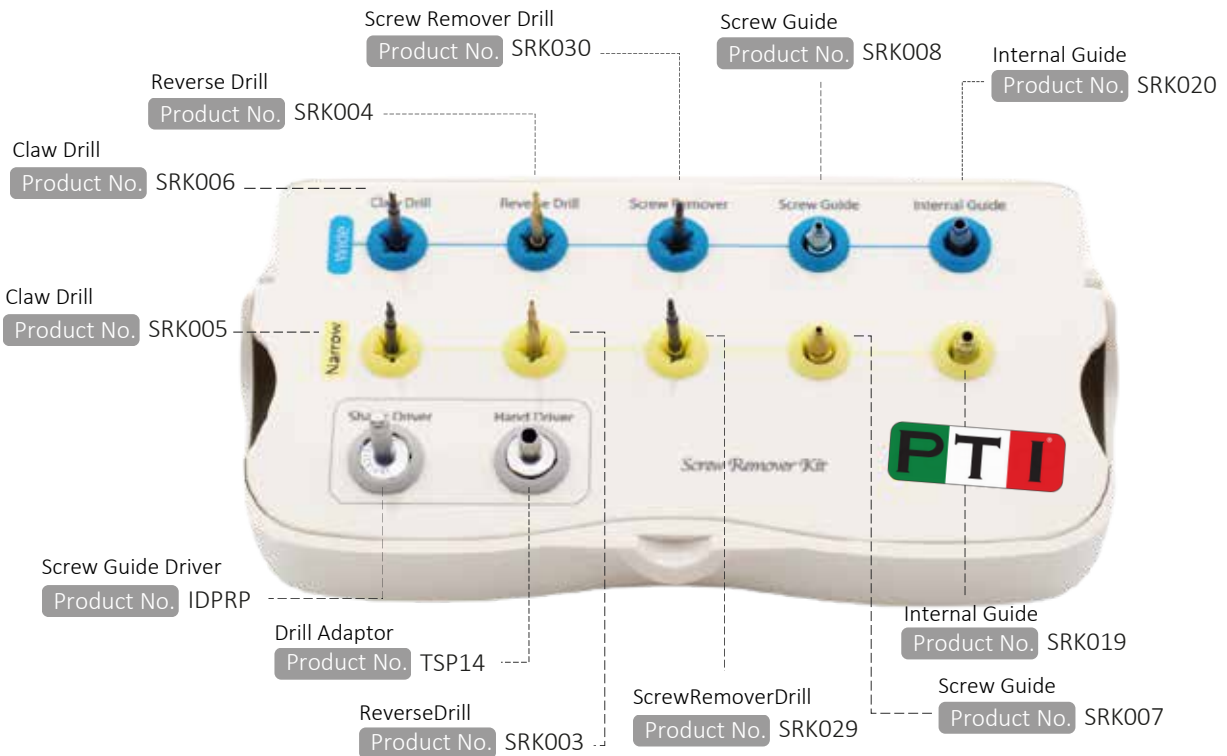
Implant						
Ø 3.2	Length	14mm	12mm	10mm	8mm	6mm
	Diameter	Ø3.2	Ø3.2	Ø3.2	Ø3.2	Ø3.2
	Product No.	DS3214	DSD3S2312212	DDS3S3221100	DSD3S2302808	DS3206
						
Ø 3.7	Length	14mm	12mm	10mm	8mm	6mm
	Diameter	Ø3.7	Ø3.7	Ø3.7	Ø3.7	Ø3.7
	Product No.	DS3714	DS3712	DS3710	DS3708	DS3706
						
Ø 4.1	Length	14mm	12mm	10mm	8mm	6mm
	Diameter	Ø4.1	Ø4.1	Ø4.1	Ø4.1	Ø4.1
	Product No.	DS4114	DS4112	DS4110	DS4108	DS4106
						
Ø 4.8	Length	14mm	12mm	10mm	8mm	6mm
	Diameter	Ø4.8	Ø4.8	Ø4.8	Ø4.8	Ø4.8
	Product No.	DS4814	DS4812	DS4810	DS4808	DS4806
						



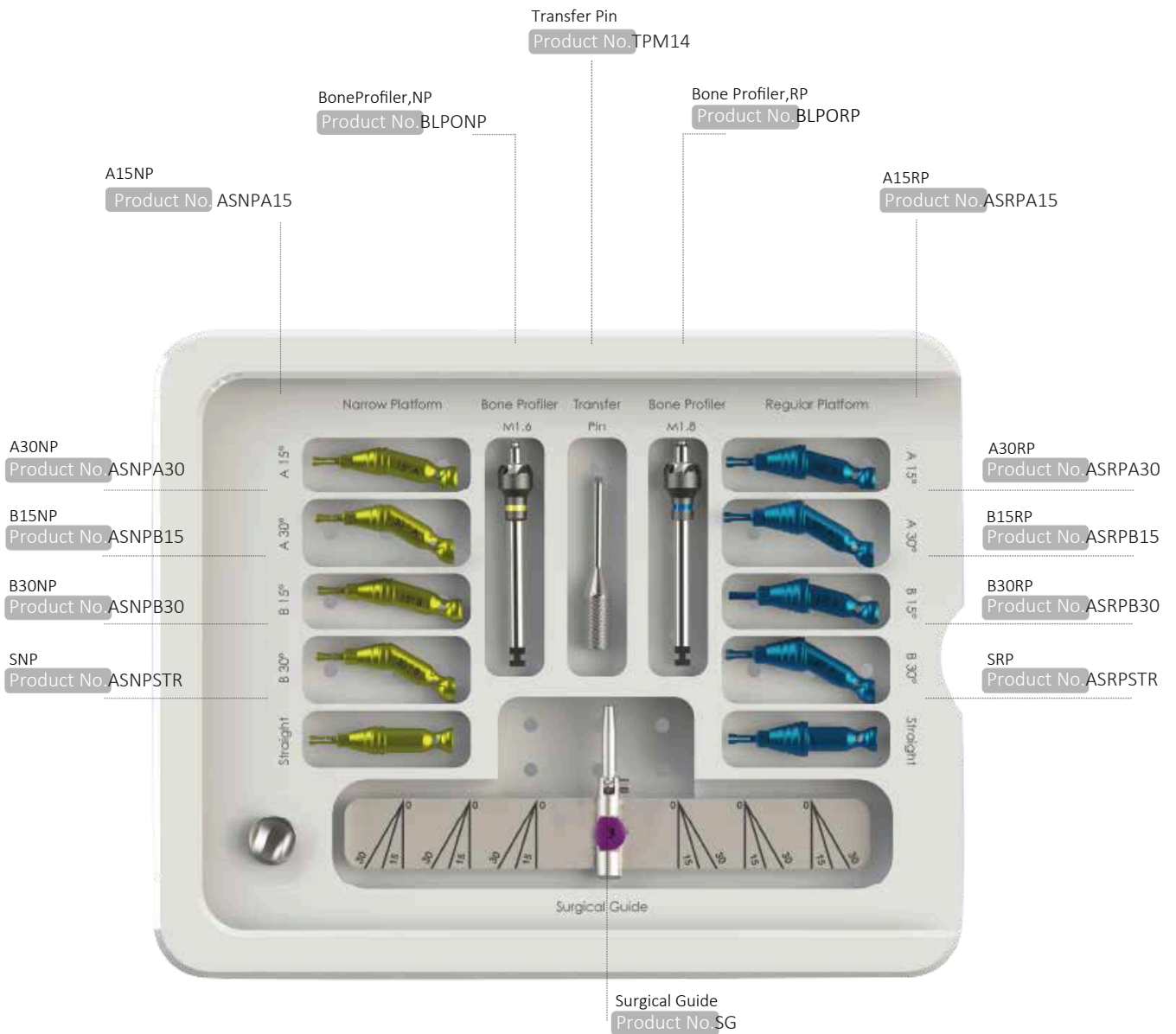
Product No. RSK



Product No. SRK



Please read the screw removal kit user manual for correct use.



NP : Narrow Platform (M1.6) ..... (Ø3.2 - Ø3.7 implants) RP : Regular Platform (M1.8) ..... (Ø4.1 - Ø4.8 implants)



## Our Digital Solution Partners



### SmartPeg Reference Guide Valid from December 2018 | 25016-67

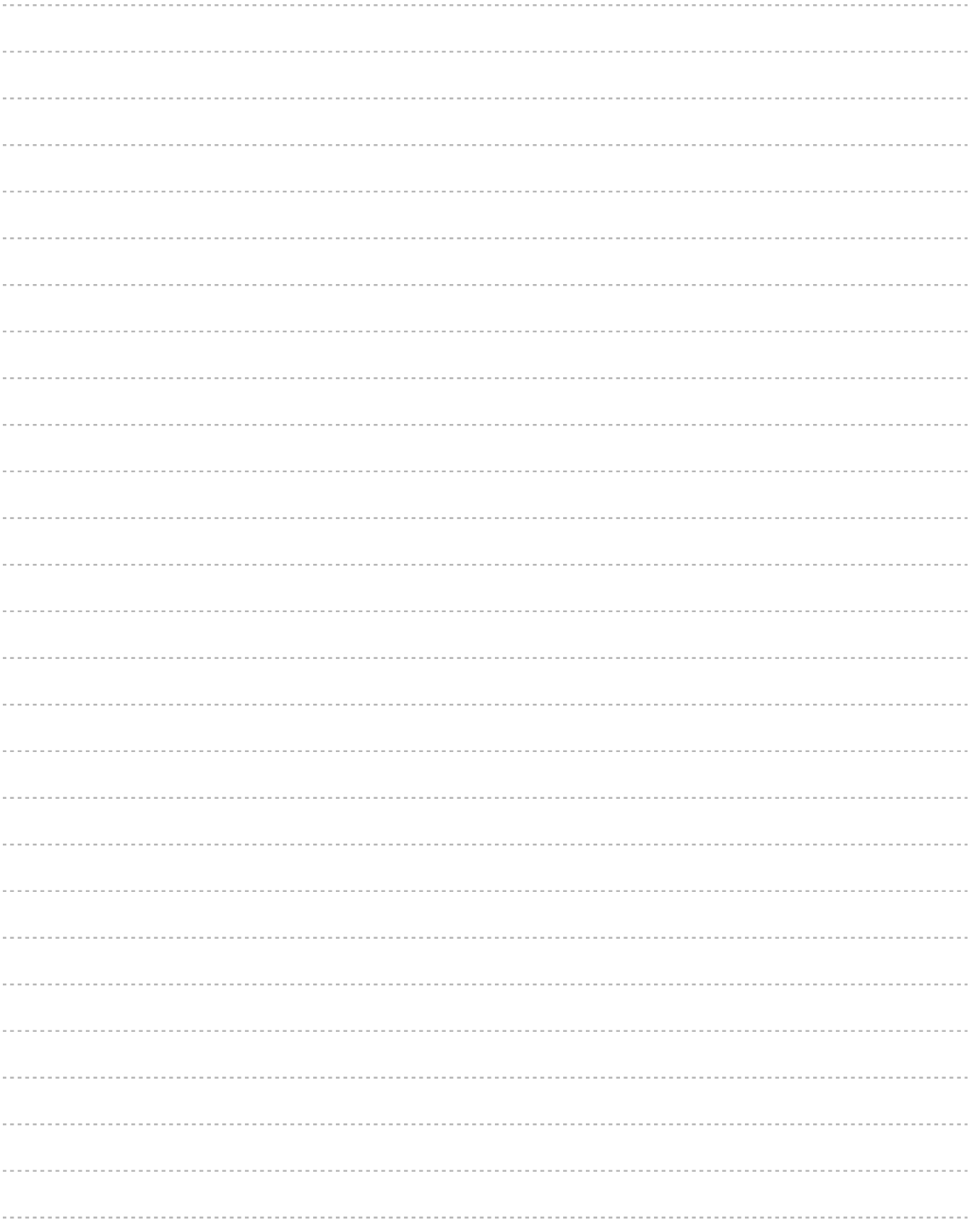
Implant Company	Model	Diameter (mm)	SmartPeg	New
B6pro®	Bone Level Implant	3.2 - 3.7	100402	Type21
	Bone Level Implant	4.1 - 4.8	100480	Type49

**PLANMECA**



**exocad**

Everything is much easier and safer with our digital solution partners.





R

Passion  
Future  
Quality  
Vision  
**Innovation**  
**SCIENCE**

Imposs Medical GmbH Grafenberger Allee 293 40237 Düsseldorf- GERMANY

info@ABSimplant

www.absimplant