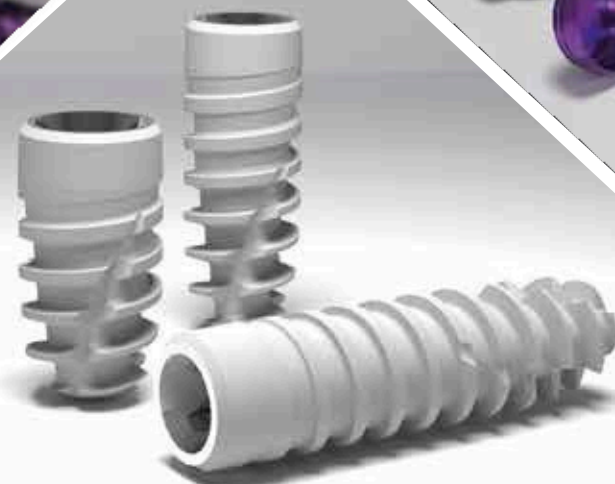


The Perfect Intersection of  
Experience, Quality, Innovation and Science

 **b6pro**<sup>®</sup>



Product  
Catalogue







**GENERAL**

About Us.....3

B6PRO® Applications.....4



**SURGICAL**

Surface.....5 SLA

Drilling Protocol.....6

Packaging Handling.....7

B6pro® Design.....9

Implants Overview.....10

Ø2.9 mm Slim Implant.....11

Cover Screw, Transfer Piece, Healing Caps.....12



**PROSTHETICS**

..... 13 Abutments

Cement Retained Abutments.....14

Temporary Abutments.....15

Screw Retained (Multi-unit) Abutments.....16-17

Locator Abutments.....18-20

Ti-base Abutments.....21-24

Digital Analogs.....26

Pre-mill Abutments.....28

Implant Level Impression Components and Analogs.....29-30

Abutment Level Impression Components and Analogs.....31-32



**INTRUMENTS**

and

**ACCESSORIES**

Surgical

Cassette.....33-36

Stopper Kit.....37

Sinus Osteotome Kit.....38

Ridge Expander Kit Screw Removal Kit.....39

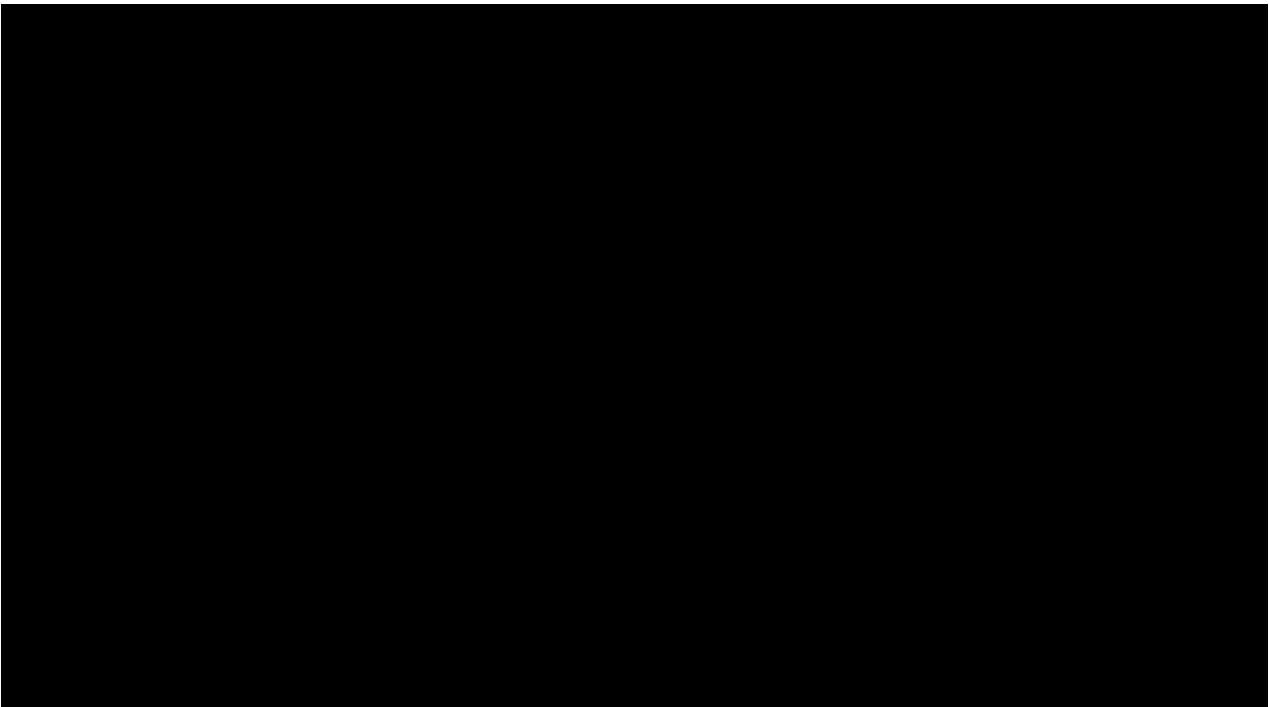
All on Four & Abutment Selection Kit.....40

Digital Libraries.....41



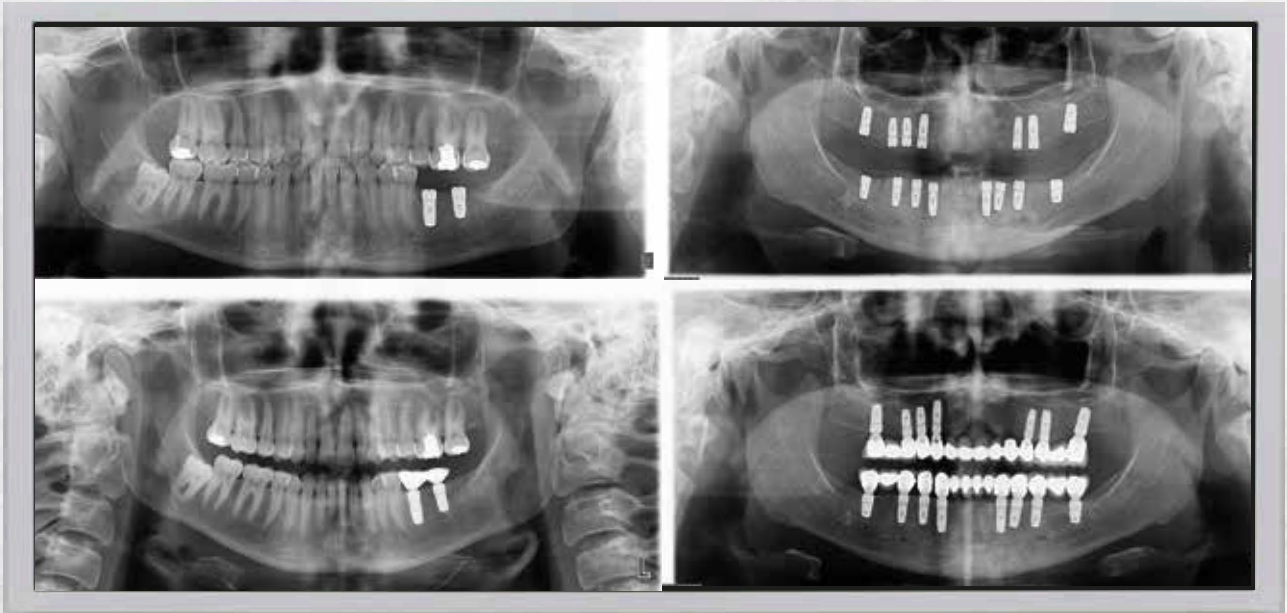
**MISSION**

ProimtechInc. aims to be a healthcare leading firm that follows the latest advances in technology, keeps innovations alive adding new values every passing day with R&D studies and works for providing high quality of health and life for everybody.



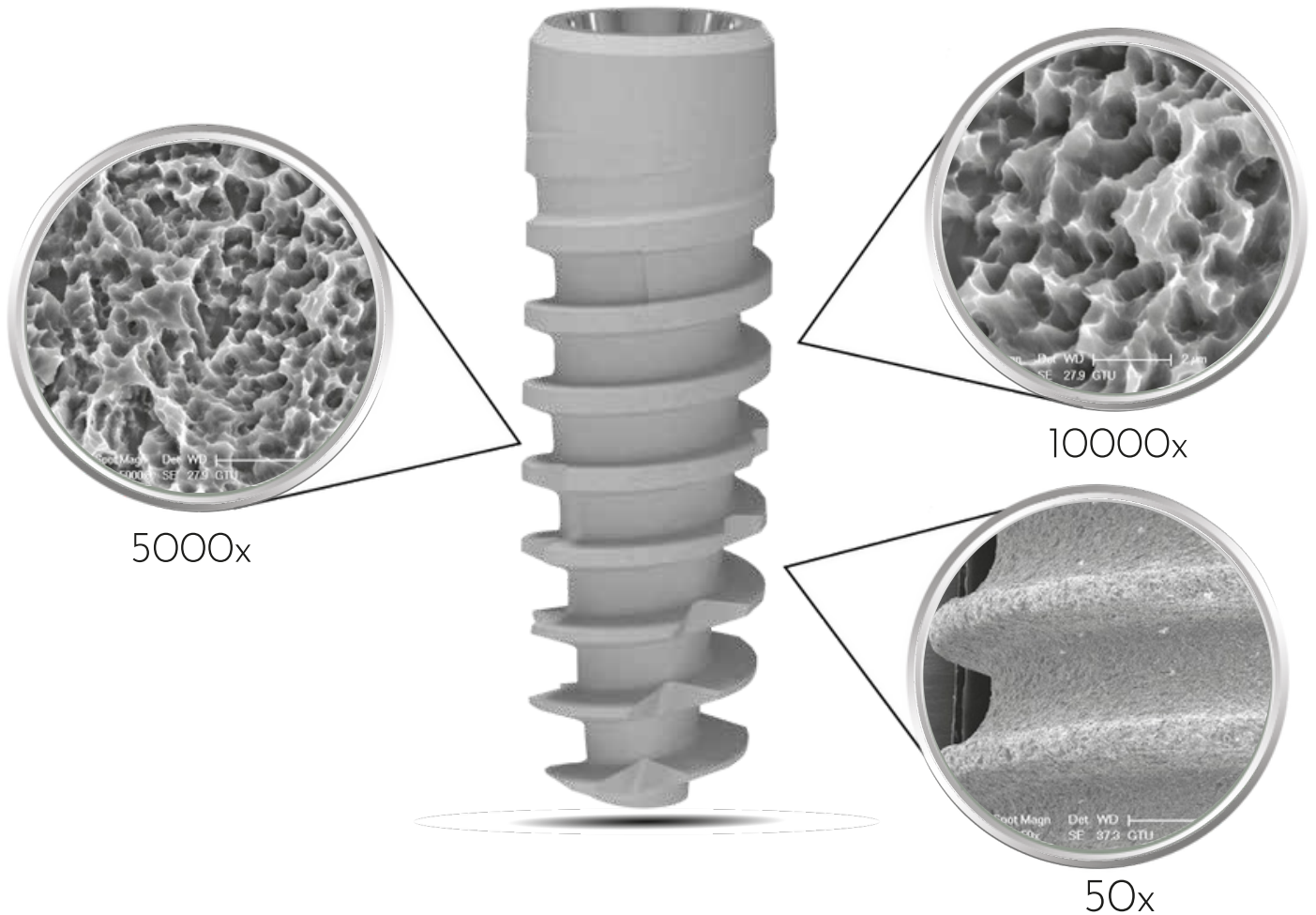
**VISION**

Our main target is to be a trustworthy and global company in the dental sector by providing innovative, scientific and highly qualified production service.

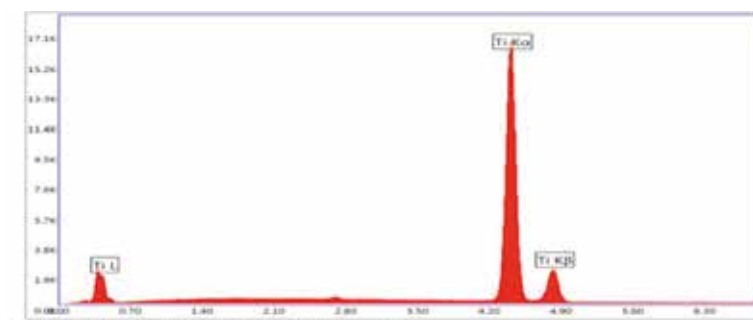


As an expected result of our sense of manufacturing that does not compromise quality and scientificness, success of our implants was proved with proved with 8 years clinical follow-up. In accordance with the scientific literature, B6pro® applications does not cause periimplantitis, pathological marginal bone loss, screw loosening etc.

## Sandblasted, Large Grit, Acid-Etched (SLA) Surface



B6pro® implants have an ideal homogenous rough surface with  $1.8 \mu\text{m Ra}$  as a consequence of sandblasting and double etching process. This SLA surface provides the best degree of roughness for osseointegration by increasing the implant-bone contact area.



EDAX (Energy Dispersive X-ray) analysis showed that no element was found causing biocontamination and influencing osseointegration negatively.





The box is opened.



The blister pack is removed from the box.



The tyvek paper is removed.



The cap of the implant vial is opened turning it clockwise. Do not use a product with a broken security ring. The sealing ring inside of the cap provides extra security in addition to tyvek paper to ensure sterilization.



The implant is placed on a sterile table after it is opened. A medically compatible transparent plastic body protects the implant from a contact with foreign materials.



The insertion tool is attached to the color coded transfer piece (yellow or blue) that is mounted on the implant. Delicate manufacturing and the silicon ring prevents implant falling into the mouth.



The implant is removed from the transparent plastic body turning the ratchet 90° angle. The transfer piece is removed by pulling upwards following the placement of implant into implant bed.



The silicon cap is removed to take the cover screw from the box.



The screwdriver (SCS) is mounted on the cover screw. It is gently pressed and removed pulling upwards.

“Laughter is a tranquilizer with no side effects.” Arnoldt Glashow

Smile with B6pro®

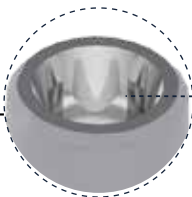
1. Four corner connection that facilitates and accelerates impression procedures and try-ins.



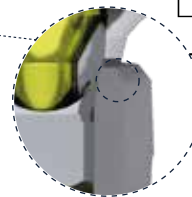
4. Conical screw connection that minimizes the risk of screw loosening



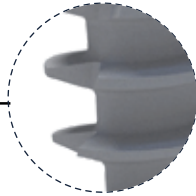
2. Conical connection that minimizes the risk of loosening of abutment screw and ensures long term stability



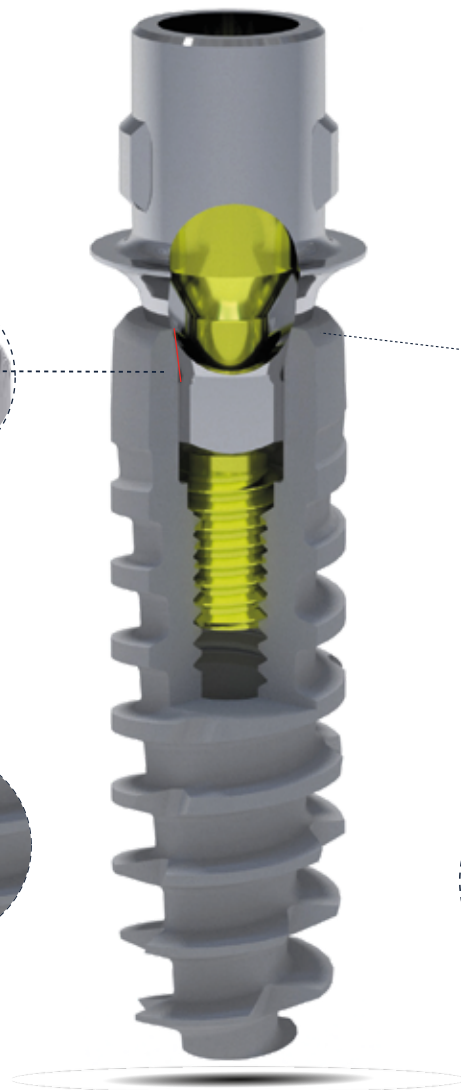
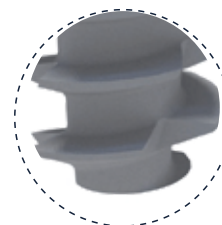
5. Platform switching feature that prevents marginal bone loss



3. Square macro-thread design ensures implant insertion at low torque values, uniform force distribution and increases primary stability

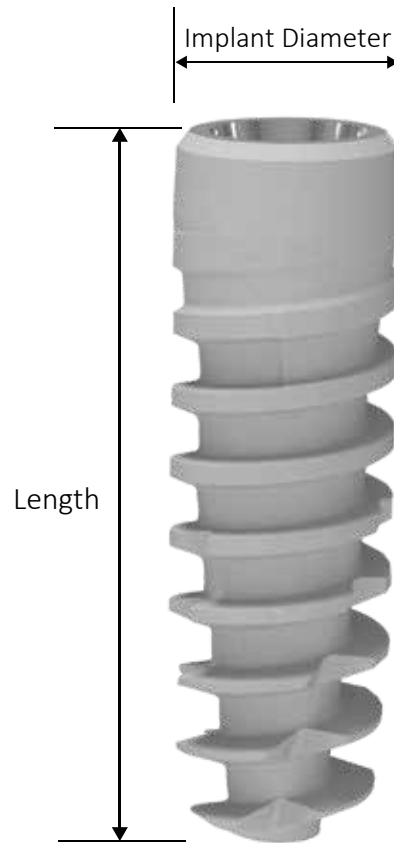


6. Self-tapping design that facilitates implant placement and increases primary stability



B6pro® implants were designed for a natural look and sensation providing great flexibility and a balanced prosthetic portfolio for every indication. It stands for excellent clinical performance, superior esthetics and high patient satisfaction in daily practice.

# IMPLANTS OVERVIEW



Product No.	Implant Diameter	Length	
G-PBL2910	Ø 2.9 mm	10 mm	Slim (SP, M1.4)
G-PBL2912		12 mm	
G-PBL2914		14 mm	
G-PBL3208	Ø 3.2 mm	8 mm	Narrow Platform (yellow) (NP, M1.6)
G-PBL3210		10 mm	
G-PBL3212		12 mm	
G-PBL3214		14 mm	
G-PBL3708	Ø 3.7 mm	8 mm	Regular Platform (Blue) (RP, M1.8)
G-PBL3710		10 mm	
G-PBL3712		12 mm	
G-PBL3714		14 mm	
G-PBL4108	Ø 4.1 mm	8 mm	Regular Platform (Blue) (RP, M1.8)
G-PBL4110		10 mm	
G-PBL4112		12 mm	
G-PBL4114		14 mm	
G-PBL4808	Ø 4.8 mm	8 mm	
G-PBL4810		10 mm	
G-PBL4812		12 mm	

# Ø2.9 mm Slim (SP) Implant

- Ø2.9 mm slim implant is specifically engineered to address esthetic challenges in compromised situations such as narrow interdental spaces or reduced bone height
- Enjoy the privilege of the Ø2.9 mm slim implant in the aesthetic zone and where narrow diameter implant use is indicated
- Easy handling
- Ensured precision against rotation and long-term mechanical stability
- Guidance by 4 grooves for precise positioning
- 8° conical connection
- 
- 
- 

Do not use  
in bridge restorations !



G-PBL2910	G-PBL2912	G-PBL2914	Product No.
10	12	14	Length (mm)

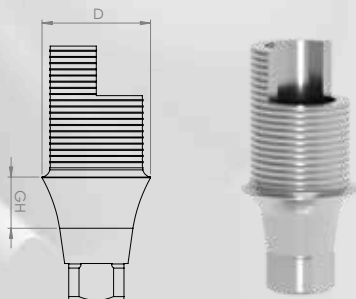
## Indications

Lateral incisors (maxilla)



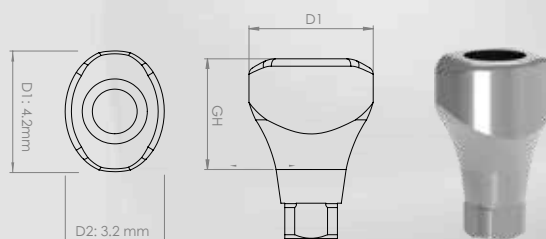
Central and lateral incisors (mandible)

### Ti - Base Angled Abutments (for Ø2.9 implant)



D	GH	Product No.
3.5 mm	1 mm	BLATIBLAGH1SP
	2 mm	BLATIBLAGH2SP
	3 mm	BLATIBLAGH3SP

### Healing Caps



D1 x D2	GH	Product No.
4.2 x 3.2 mm	2.5 mm	BLHCH25SP
	4 mm	BLHCH4SP
	6 mm	BLHCH6SP

### Impression Post Open Tray

Product No.  
IP0021



### Impression Post Closed Tray

Product No.  
IP 0023



### Analog

Product No.  
IP 0025



## Transfer Pieces

Transfer Piece for  $\varnothing 3.2$  and  $\varnothing 3.7$  Bone Level Implants

Transfer Piece for  $\varnothing 4.1$  and  $\varnothing 4.8$  Bone Level Implants

PTPNP

PTPRP



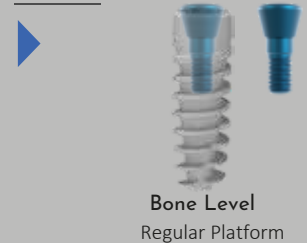
## Cover Screws

Cover Screws for  $\varnothing 3.2$  and  $\varnothing 3.7$  Bone Level Implants

Cover Screws for  $\varnothing 4.1$  and  $\varnothing 4.8$  Bone Level Implants

PCSNP

PCSRP

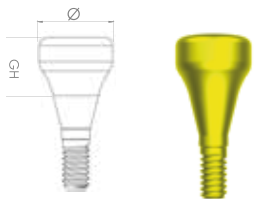


The transfer piece has an easily removable system following the implant placement. It has a safety ring breaking at a force of 125 Ncm in dense bone preventing marginal bone loss and protecting the inner surface of implant.

Compatible with inner structure of the implant with leakproof feature

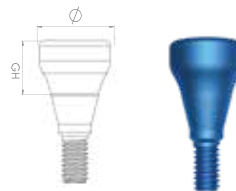
## Healing Caps

Narrow Platform Healing Caps ( $\varnothing 3.2$  and  $\varnothing 3.7$  Implants)



Diameter (mm)	Gingival Height (GH)	Product No.
$\varnothing 3.5$	3 mm	BLHC35H3NP
$\varnothing 3.5$	4 mm	BLHC35H4NP
$\varnothing 3.5$	6 mm	BLHC35H6NP
$\varnothing 4.5$	3 mm	BLHC45H3NP
$\varnothing 4.5$	4 mm	BLHC45H4NP
$\varnothing 4.5$	6 mm	BLHC45H6NP

Regular Platform Healing Caps ( $\varnothing 4.1$  and  $\varnothing 4.8$  Implants)



Diameter (mm)	Gingival Height (GH)	Product No.
$\varnothing 5.0$	3 mm	BLHC50H3RP
$\varnothing 5.0$	4 mm	BLHC50H4RP
$\varnothing 5.0$	6 mm	BLHC50H6RP
$\varnothing 6.5$	3 mm	BLHC65H3RP
$\varnothing 6.5$	4 mm	BLHC65H4RP
$\varnothing 6.5$	6 mm	BLHC65H6RP

Screw Retained (Multi-Unit) Healing Cap



Diameter (mm)	Gingival Height (GH)	Product No.
$\varnothing 4.5$	4.9 mm	BLHCMLT



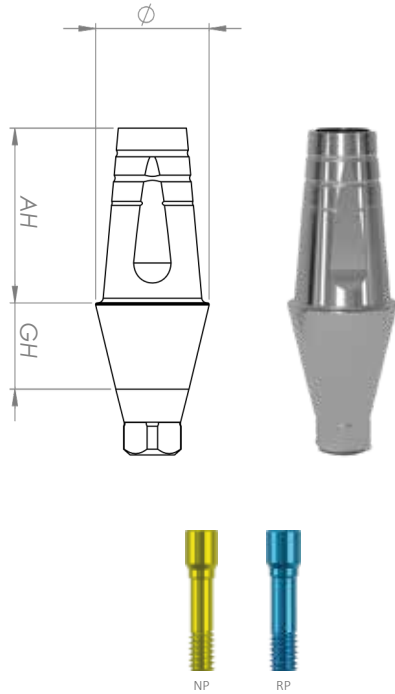
# ABUTMENTS

The loading torque value on all abutments is **30 Ncm**.

For multi-unit abutments, the loading torques **30 Ncm** and the secondary occlusal top screw torque is **15 Ncm**.

# Cement Retained Abutments

## Straight Abutments



Narrow Platform

Regular Platform

Diameter (mm)	Ging. Height (GH)	AH	Product No.
Ø3.5	1 mm	5.5 mm	BLSA35GH1AH55NP
Ø3.5	2 mm	5.5 mm	BLSA35GH2AH55NP
Ø3.5	3 mm	5.5 mm	BLSA35GH3AH55NP
Ø3.5	4 mm	5.5 mm	BLSA35GH4AH55NP
Ø3.5	5 mm	5.5 mm	BLSA35GH5AH55NP
Ø4.5	1 mm	7 mm	BLSA45GH1AH7NP
Ø4.5	2 mm	7 mm	BLSA45GH2AH7NP
Ø4.5	3 mm	7 mm	BLSA45GH3AH7NP
Ø4.5	4 mm	7 mm	BLSA45GH4AH7NP
Ø4.5	5 mm	7 mm	BLSA45GH5AH7NP
Ø5	1 mm	7 mm	BLSA50GH1AH7RP
Ø5	2 mm	7 mm	BLSA50GH2AH7RP
Ø5	3 mm	7 mm	BLSA50GH3AH7RP
Ø5	4 mm	7 mm	BLSA50GH4AH7RP
Ø5	5 mm	7 mm	BLSA50GH5AH7RP
Ø6	1 mm	7 mm	BLSA60GH1AH7RP
Ø6	2 mm	7 mm	BLSA60GH2AH7RP
Ø6	3 mm	7 mm	BLSA60GH3AH7RP
Ø6	4 mm	7 mm	BLSA60GH4AH7RP
Ø6	5 mm	7 mm	BLSA60GH5AH7RP

## Angled Abutments



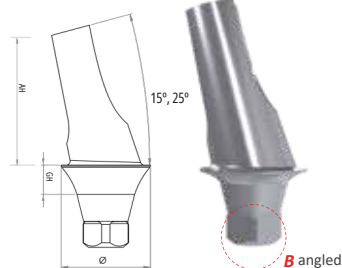
**A angled**

Narrow Platform

Regular Platform

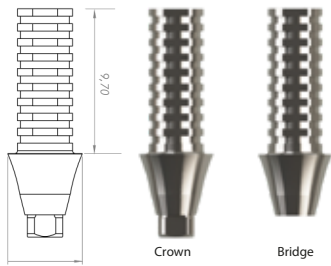
Angle	Ging. Height (GH)	AH	Product No. A angled / B angled
15°	1 mm	7 mm	BLAAA15GH1AH7NP / BLAAB15GH1AH7NP
15°	2 mm	7 mm	BLAAA15GH2AH7NP / BLAAB15GH2AH7NP
15°	3 mm	7 mm	BLAAA15GH3AH7NP / BLAAB15GH3AH7NP
15°	4 mm	7 mm	BLAAA15GH4AH7NP / BLAAB15GH4AH7NP
25°	1 mm	7 mm	BLAAA25GH1AH7NP / BLAAB25GH1AH7NP
25°	2 mm	7 mm	BLAAA25GH2AH7NP / BLAAB25GH2AH7NP
25°	3 mm	7 mm	BLAAA25GH3AH7NP / BLAAB25GH3AH7NP
25°	4 mm	7 mm	BLAAA25GH4AH7NP / BLAAB25GH4AH7NP
15°	1 mm	7 mm	BLAAA15GH1AH7RP / BLAAB15GH1AH7RP
15°	2 mm	7 mm	BLAAA15GH2AH7RP / BLAAB15GH2AH7RP
15°	3 mm	7 mm	BLAAA15GH3AH7RP / BLAAB15GH3AH7RP
15°	4 mm	7 mm	BLAAA15GH4AH7RP / BLAAB15GH4AH7RP
25°	1 mm	7 mm	BLAAA25GH1AH7RP / BLAAB25GH1AH7RP
25°	2 mm	7 mm	BLAAA25GH2AH7RP / BLAAB25GH2AH7RP
25°	3 mm	7 mm	BLAAA25GH3AH7RP / BLAAB25GH3AH7RP
25°	4 mm	7 mm	BLAAA25GH4AH7RP / BLAAB25GH4AH7RP

**B angled**



A and B type angled abutments attached to implants in 8 different positions are produced in order to increase placement options. Thus, the need for abutment preparation is reduced.

# Temporary Abutments



	Diameter (mm)		Crown (Lock)		Bridge (NoLock)	
	GH	AH	Product No.		Product No.	
Narrow Platform	Ø4.3	1 mm	9.7mm	BLTAGH1LNP	BLTAGH1NLNP	
	Ø4.3	2 mm	9.7mm	BLTAGH2LNP	BLTAGH2NLNP	
	Ø4.3	3 mm	9.7mm	BLTAGH3LNP	BLTAGH3NLNP	
	Ø4.3	4 mm	9.7mm	BLTAGH4LNP	BLTAGH4NLNP	
	Ø4.3	5 mm	9.7mm	BLTAGH5LNP	BLTAGH5NLNP	
Regular Platform	Ø5.0	1 mm	9.7mm	BLTAGH1LRP	BLTAGH1NLRP	
	Ø5.0	2 mm	9.7mm	BLTAGH2LRP	BLTAGH2NLRP	
	Ø5.0	3 mm	9.7mm	BLTAGH3LRP	BLTAGH3NLRP	
	Ø5.0	4 mm	9.7mm	BLTAGH4LRP	BLTAGH4NLRP	
	Ø5.0	5 mm	9.7mm	BLTAGH5LRP	BLTAGH5NLRP	

# Multi-unit Temporary Abutments

**Crown**



BLMLTAL

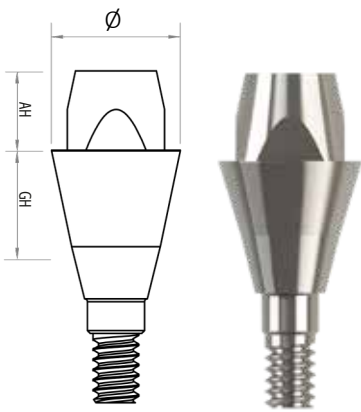
**Bridge**



BLMLTANL

# Screw Retained (Multi-unit) Abutments

## Straight Multi-unit Abutments



Narrow Platform

Regular Platform

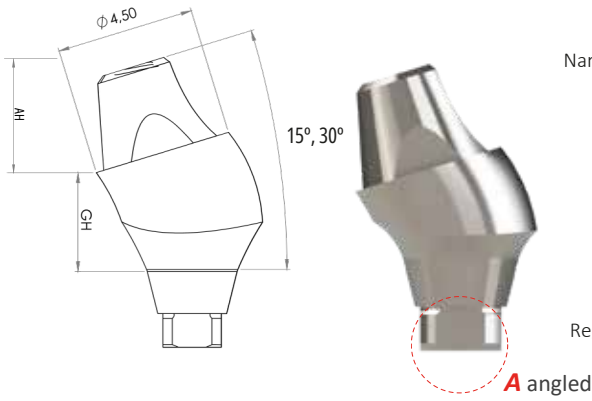
Diameter (mm)	Ging. Height (GH)	AH	Product No.
Ø4.5	1 mm	2.7 mm	BLMLTSA45GH1NP
Ø4.5	2 mm	2.7 mm	BLMLTSA45GH2NP
Ø4.5	3 mm	2.7 mm	BLMLTSA45GH3NP
Ø4.5	4 mm	2.7 mm	BLMLTSA45GH4NP
Ø4.5	5 mm	2.7 mm	BLMLTSA45GH5NP
Ø4.5	1 mm	2.7 mm	BLMLTSA45GH1RP
Ø4.5	2 mm	2.7 mm	BLMLTSA45GH2RP
Ø4.5	3 mm	2.7 mm	BLMLTSA45GH3RP
Ø4.5	4 mm	2.7 mm	BLMLTSA45GH4RP
Ø4.5	5 mm	2.7 mm	BLMLTSA45GH5RP



# Screw Retained (Multi-unit) Abutments

## Angled Multi-unit Abutments

### A angled abutments



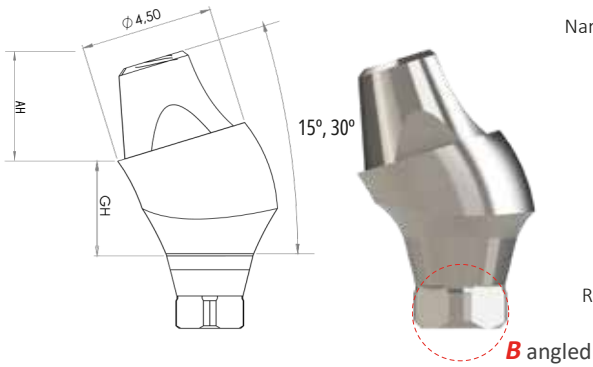
Narrow Platform ●

Regular Platform ●

A angled

Angle	Ging. Height (GH)	AH	Product No.
15°	1 mm	2.7 mm	BLMLTAAA15GH1NP
15°	2 mm	2.7 mm	BLMLTAAA15GH2NP
15°	3 mm	2.7 mm	BLMLTAAA15GH3NP
15°	4 mm	2.7 mm	BLMLTAAA15GH4NP
30°	1 mm	2.7 mm	BLMLTAAA30GH1NP
30°	2 mm	2.7 mm	BLMLTAAA30GH2NP
30°	3 mm	2.7 mm	BLMLTAAA30GH3NP
30°	4 mm	2.7 mm	BLMLTAAA30GH4NP
15°	1 mm	2.7 mm	BLMLTAAA15GH1RP
15°	2 mm	2.7 mm	BLMLTAAA15GH2RP
15°	3 mm	2.7 mm	BLMLTAAA15GH3RP
15°	4 mm	2.7 mm	BLMLTAAA15GH4RP
30°	1 mm	2.7 mm	BLMLTAAA30GH1RP
30°	2 mm	2.7 mm	BLMLTAAA30GH2RP
30°	3 mm	2.7 mm	BLMLTAAA30GH3RP
30°	4 mm	2.7 mm	BLMLTAAA30GH4RP

### B angled abutments



Narrow Platform ●

Regular Platform ●

B angled

Angle	Ging. Height (GH)	AH	Product No.
15°	1 mm	2.7 mm	BLMLTAAB15GH1NP
15°	2 mm	2.7 mm	BLMLTAAB15GH2NP
15°	3 mm	2.7 mm	BLMLTAAB15GH3NP
15°	4 mm	2.7 mm	BLMLTAAB15GH4NP
30°	1 mm	2.7 mm	BLMLTAAB30GH1NP
30°	2 mm	2.7 mm	BLMLTAAB30GH2NP
30°	3 mm	2.7 mm	BLMLTAAB30GH3NP
30°	4 mm	2.7 mm	BLMLTAAB30GH4NP
15°	1 mm	2.7 mm	BLMLTAAB15GH1RP
15°	2 mm	2.7 mm	BLMLTAAB15GH2RP
15°	3 mm	2.7 mm	BLMLTAAB15GH3RP
15°	4 mm	2.7 mm	BLMLTAAB15GH4RP
30°	1 mm	2.7 mm	BLMLTAAB30GH1RP
30°	2 mm	2.7 mm	BLMLTAAB30GH2RP
30°	3 mm	2.7 mm	BLMLTAAB30GH3RP
30°	4 mm	2.7 mm	BLMLTAAB30GH4RP

### Abutment Screw

Product No.

Narrow Platform AMLTASNP  
Regular Platform AMLTASRP

### Plastic Copings



Bridge IP0034

### Occlusal Screw

OS

Loading torque **15 Ncm**



Crown IP0033

Loading torque **30 Ncm**

# LOC-BIL<sup>®</sup> Retentive System

This connection is specially designed for you and your patient.  
Feel the comfort and reliability.



## DLC SURFACE

DLCcoated locator abutments show less bacteria and calculus accumulation thanks to its scratch-free surface hardness and smoothness.



## DIVERGENCE COMPENSATION

In combination with the angled Loc-bil<sup>®</sup> abutments they can be used to compensate for divergences of up to 70° between the implants.



## GINGIVA HEIGHTS

There is 5 gingiva heights for the straight and angled abutments

## PEEK MATRICES

PEEK inserts offered sufficient retention for long-term use over 30,000 insertion-separating cycles, both for orthogonal and tilted implants.

## Straight and 15° Angled Loc-bil<sup>®</sup> Abutments



GH 2 mm 3 mm 4 mm 5 mm 6 mm



GH 2 mm 3 mm 4 mm 5 mm 6 mm \*

\*All angled Loc-bil abutments are available in types A and B, where they can be seated on the implant in 8 different positions.



### PERFORMANCE

Excellent material, delivering high wear resistance and smoothness



### FLEXIBILITY

Flexibility to compensate for poorly positioned implants



### USABILITY

All components of the lock system are easy to use



### PATIENT COMFORT

Provides much more comfort for your patient than other hybrid systems



### QUALITY

Trust Loc-bil quality and the science

# Locator (Loc-bill®) Abutments

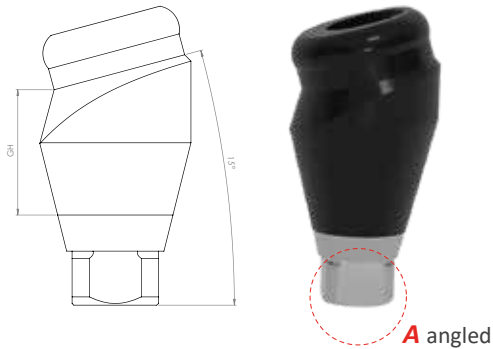
## Straight Abutments



	Ging. Height (GH)	Product No.
Narrow Platform	2 mm	BLOGGH2NP
	3 mm	BLOGGH3NP
	4 mm	BLOGGH4NP
	5 mm	BLOGGH5NP
	6 mm	BLOGGH6NP
	Regular Platform	2 mm
3 mm		BLOGGH3RP
4 mm		BLOGGH4RP
5 mm		BLOGGH5RP
6 mm		BLOGGH6RP

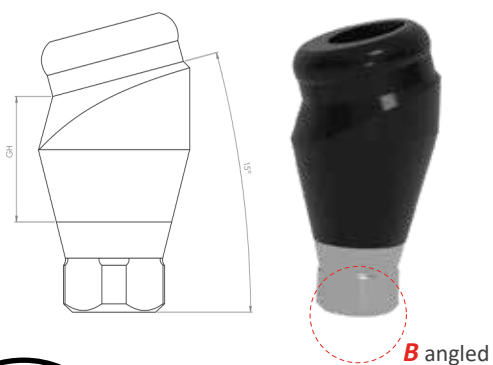
## Angled Abutments

### A angled abutments



	Angle	Ging. Height (GH)	Product No.
Narrow Platform	15°	2 mm	BLOCA15GH2NP
	15°	3 mm	BLOCA15GH3NP
	15°	4 mm	BLOCA15GH4NP
	15°	5 mm	BLOCA15GH5NP
	15°	6 mm	BLOCA15GH6NP
	Regular Platform	15°	2 mm
15°		3 mm	BLOCA15GH3RP
15°		4 mm	BLOCA15GH4RP
15°		5 mm	BLOCA15GH5RP
15°		6 mm	BLOCA15GH6RP

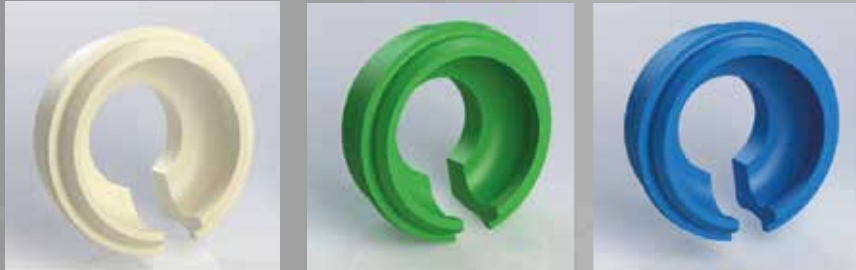
### B angled abutments



	Angle	Ging. Height (GH)	Product No.
Narrow Platform	15°	2 mm	BLOCB15GH2NP
	15°	3 mm	BLOCB15GH3NP
	15°	4 mm	BLOCB15GH4NP
	15°	5 mm	BLOCB15GH5NP
	15°	6 mm	BLOCB15GH6NP
	Regular Platform	15°	2 mm
15°		3 mm	BLOCB15GH3RP
15°		4 mm	BLOCB15GH4RP
15°		5 mm	BLOCB15GH5RP
15°		6 mm	BLOCB15GH6RP

# Locator (Loc-bil® R) PEEK Inserts and Instruments

**PEEK Retention Inserts are Compatible with All Popular Implant Locator Systems\***



**Light**  
1130 g

**Medium**  
1820 g

**Strong**  
2260 g

### **Easy - to - Use Hand Tools**

*PEEK retention inserts can be easily inserted or removed into the matrix housing in a few seconds with a stress-free handling.*

The Loc-bil® matrix system with its newly developed technology is a prefabricated connector for retaining removable restorations on universal locator abutments. The matrix system is available titanium housing + coloured PEEK. In combination with the Loc-bil® abutment the matrix system has an impressive service life and functionality.



PEEK Retention Insert Instrument

Matrix Housing Extraction Instrument

Processing Insert Removal Instrument

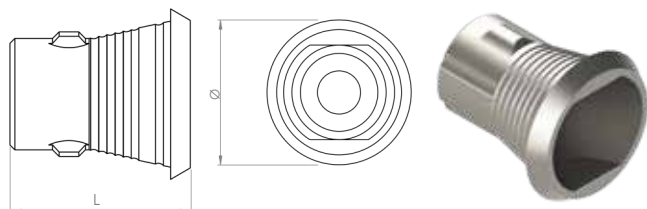
B6pro® Loc-bil® metal housing and PEEK inserts should be used together.



# Ti-BASE ABUTMENTS

# Multi-unit Ti-Base Abutments

## Crown



Height (L)

Product No.

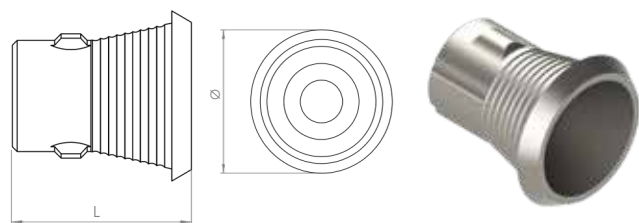
3.5 mm

BLSMLTIBLAH35

5.5 mm

BLSMLTIBLAH55

## Bridge



Height (L)

Product No.

3.5 mm

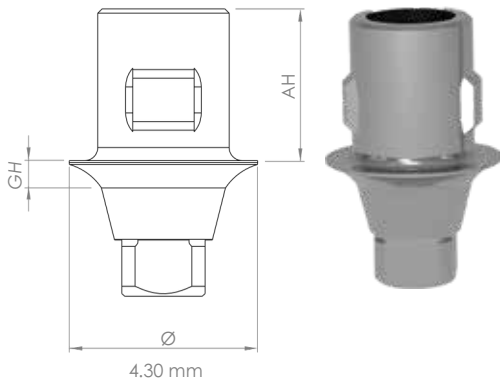
BLSMLTIBNLAH35

5.5 mm

BLSMLTIBNLAH55

# Ti-Base **Straight** Abutments

## Crown **Straight**

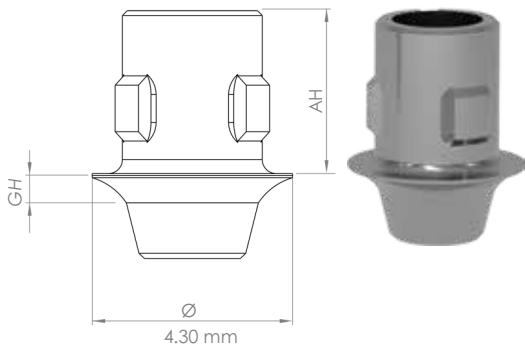


Narrow Platform ●

Regular Platform ●

Ging. Height (GH)	Abutment Height (AH)	Product No.
1 mm	3.5 mm	BLSTIBLAH35GH1NP
2 mm	3.5 mm	BLSTIBLAH35GH2NP
3 mm	3.5 mm	BLSTIBLAH35GH3NP
4 mm	3.5 mm	BLSTIBLAH35GH4NP
5 mm	3.5 mm	BLSTIBLAH35GH5NP
1 mm	5.5 mm	BLSTIBLAH55GH1NP
2 mm	5.5 mm	BLSTIBLAH55GH2NP
3 mm	5.5 mm	BLSTIBLAH55GH3NP
4 mm	5.5 mm	BLSTIBLAH55GH4NP
5 mm	5.5 mm	BLSTIBLAH55GH5NP
1 mm	3.5 mm	BLSTIBLAH35GH1RP
2 mm	3.5 mm	BLSTIBLAH35GH2RP
3 mm	3.5 mm	BLSTIBLAH35GH3RP
4 mm	3.5 mm	BLSTIBLAH35GH4RP
5 mm	3.5 mm	BLSTIBLAH35GH5RP
1 mm	5.5 mm	BLSTIBLAH55GH1RP
2 mm	5.5 mm	BLSTIBLAH55GH2RP
3 mm	5.5 mm	BLSTIBLAH55GH3RP
4 mm	5.5 mm	BLSTIBLAH55GH4RP
5 mm	5.5 mm	BLSTIBLAH55GH5RP

## Bridge **Straight**



Narrow Platform ●

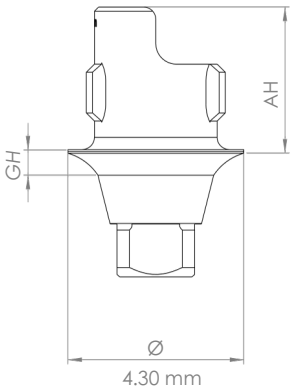
Regular Platform ●

Ging. Height (GH)	Abutment Height (AH)	Product No.
1 mm	3.5 mm	BLSTIBNLAH35GH1NP
2 mm	3.5 mm	BLSTIBNLAH35GH2NP
3 mm	3.5 mm	BLSTIBNLAH35GH3NP
4 mm	3.5 mm	BLSTIBNLAH35GH4NP
5 mm	3.5 mm	BLSTIBNLAH35GH5NP
1 mm	5.5 mm	BLSTIBNLAH55GH1NP
2 mm	5.5 mm	BLSTIBNLAH55GH2NP
3 mm	5.5 mm	BLSTIBNLAH55GH3NP
4 mm	5.5 mm	BLSTIBNLAH55GH4NP
5 mm	5.5 mm	BLSTIBNLAH55GH5NP
1 mm	3.5 mm	BLSTIBNLAH35GH1RP
2 mm	3.5 mm	BLSTIBNLAH35GH2RP
3 mm	3.5 mm	BLSTIBNLAH35GH3RP
4 mm	3.5 mm	BLSTIBNLAH35GH4RP
5 mm	3.5 mm	BLSTIBNLAH35GH5RP
1 mm	5.5 mm	BLSTIBNLAH55GH1RP
2 mm	5.5 mm	BLSTIBNLAH55GH2RP
3 mm	5.5 mm	BLSTIBNLAH55GH3RP
4 mm	5.5 mm	BLSTIBNLAH55GH4RP
5 mm	5.5 mm	BLSTIBNLAH55GH5RP

# Ti-Base Angled Abutments

## Crown

### Angled



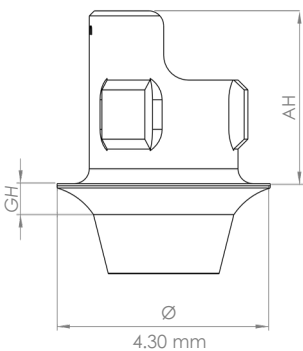
Narrow Platform ●

Regular Platform ●

Ging. Height (GH)	Abutment Height (AH)	Product No.
1 mm	3.5 mm	BLATIBLAH35GH1NP
1 mm	5.5 mm	BLATIBLAH55GH1NP
1 mm	3.5 mm	BLATIBLAH35GH1RP
1 mm	5.5 mm	BLATIBLAH55GH1RP

## Bridge

### Angled



Narrow Platform ●

Regular Platform ●

Ging. Height (GH)	Abutment Height (AH)	Product No.
1 mm	3.5 mm	BLATIBNLAH35GH1NP
1 mm	5.5 mm	BLATIBNLAH55GH1NP
1 mm	3.5 mm	BLATIBNLAH35GH1RP
1 mm	5.5 mm	BLATIBNLAH55GH1RP



“Quality is the only fact that can not be defeated by time.”

## Digital Analogs



NP, M1.6  
IPO059



RP, M1.8  
IPO060



Multi-unit, NP & RP  
IPO061

## Digital Scan Bodies



Scan Body

Material: Titanium Grade V, special coating

Scan Bodies

Product No.

M1.4 (Ø 2.9 mm implant)	SB016
M1.6 (NP, Ø3.2-Ø3.7 mm implants)	SB011
M1.8 (RP, Ø4.1-Ø4.8 mm implants)	SB012



Multi-unit Scan Body

Multi-unit Scan Bodies

Product No.

Multi-unit (NP&RP)	SB013
--------------------	-------

NP : Narrow Platform (M1.6, Ø3.2 - Ø3.7 mm implant platform)

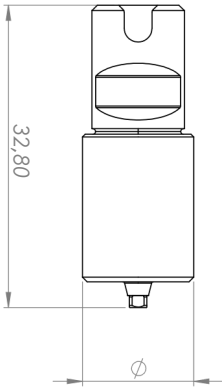
RP : Regular Platform (M1.8, Ø4.1 - Ø4.8 mm implant platform)



# PRE-MILL ABUTMENTS

Pre-milled abutments are used to create customized abutments in cases where stock abutments are not the solution.

# Pre-mill Abutments



Platform	Diameter (mm)	Product No.
----------	---------------	-------------

Narrow (For $\varnothing$ 3.2 - $\varnothing$ 3.7 mm implants)	$\varnothing$ 12	BLPRA12NP
--	------------------	-----------

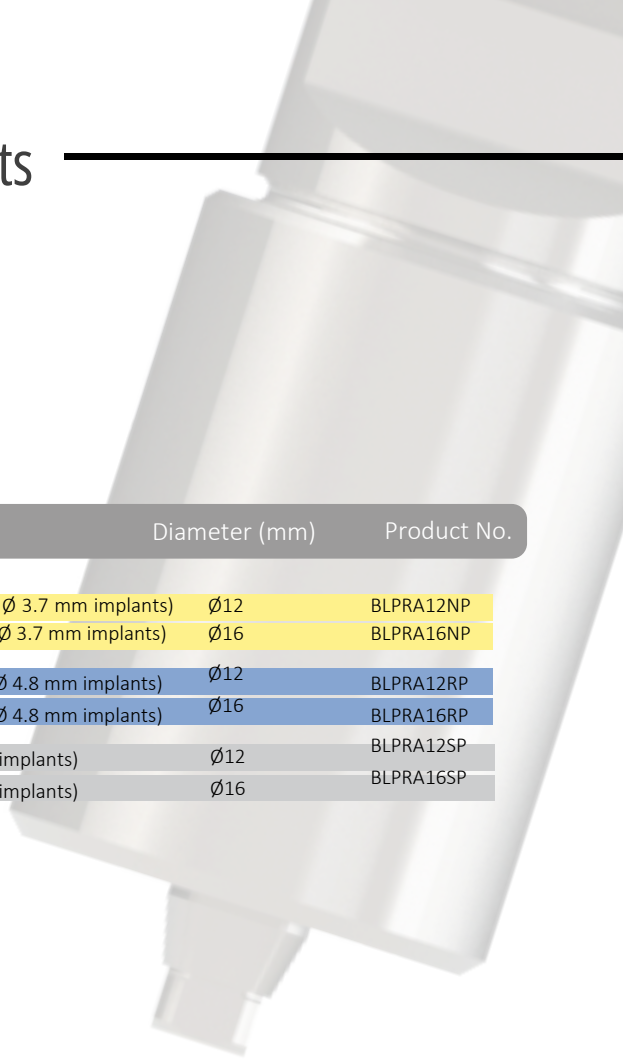
Narrow (For $\varnothing$ 3.2 - $\varnothing$ 3.7 mm implants)	$\varnothing$ 16	BLPRA16NP
--	------------------	-----------

Regular (For $\varnothing$ 4.1- $\varnothing$ 4.8 mm implants)	$\varnothing$ 12	BLPRA12RP
--	------------------	-----------

Regular (For $\varnothing$ 4.1- $\varnothing$ 4.8 mm implants)	$\varnothing$ 16	BLPRA16RP
--	------------------	-----------

Slim (For $\varnothing$ 2.9 mm implants)	$\varnothing$ 12	BLPRA12SP
--	------------------	-----------

Slim (For $\varnothing$ 2.9 mm implants)	$\varnothing$ 16	BLPRA16SP
--	------------------	-----------

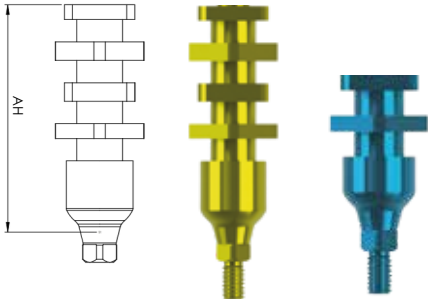




# IMPLANT LEVEL IMPRESSION COMPONENTS & ANALOGS

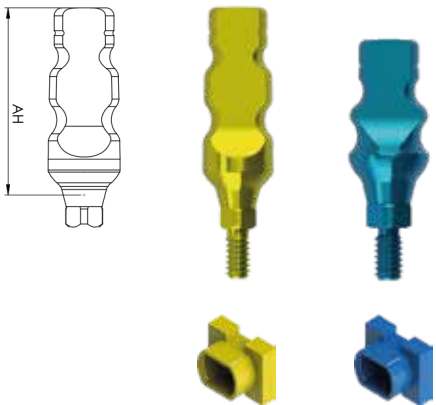
# Impression Components and Analogs

## Impression Post Open Tray



	Height (AH)	Product No.
Narrow Platform	8.5 mm (short)	IP0013
	15 mm (long)	IP0001
Regular Platform	8.5 mm (short)	IP0015
	15 mm (long)	IP0003

## Impression Post Closed Tray



	Height (AH)	Product No.
Narrow Platform	9 mm (short)	IP0017
	12 mm (long)	IP0005
Regular Platform	9 mm (short)	IP0019
	12 mm (long)	IP0007

Product No. IP0009      Product No. IP0010

Impression Post Plastic Caps

## Analogs



Product No. IP0011

Narrow Platform



Product No. IP0012

Regular Platform



Product No. IP0057

Locator Analog\*



Product No. IP0058

Locator Impression Post\*

\*These products are used with only Loc-bil® abutments



# ABUTMENT LEVEL IMPRESSION COMPONENTS & ANALOGS

# Screw Retained (Multi-unit) Impression Components and Analogs

Impression Post Open Tray

Product No. IP0026

Impression Post Closed Tray

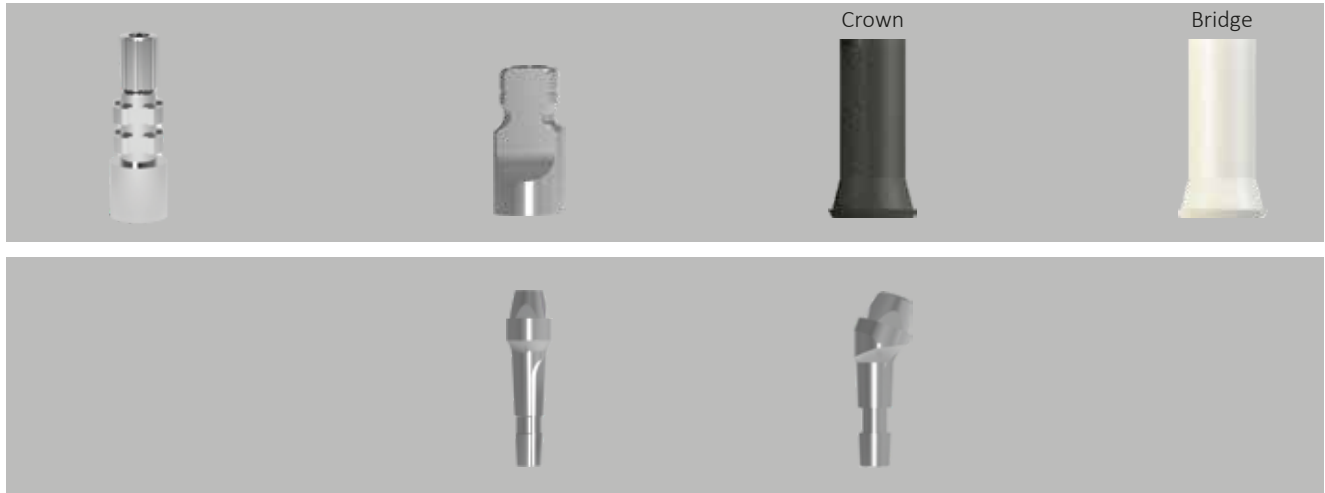
Product No. IP0028

Plastic Coping

Product No. IP0033

Plastic Coping

Product No. IP0034



\*Straight Analog

Product No. IP0030

\*15° Angled Analog

Product No. IP0031

\*Angled and straight analog platforms are absolutely the same and can be used in place of another. (NP&RP)

# INSTRUMENTS & ACCESSORIES

# Surgical Cassette



















Product No. CERS

The surgical set and its content professionally developed by our consultant team has been designed to be easily used by all clinicians and to meet all requirements for surgery.

Material: Polyphenylsulfone (PPSU)

## Accessories

		Product No.
	Marking Drill	PDSS
	Round Bur	PDRB
	Drill Extension	DEXT
	Alignment Pin	100AP
	Ø 3.2 Parallel Pin	101PP
	Ø 3.7 Parallel Pin	102PP
	Ø 4.1 Parallel Pin	103PP
	Ø 4.8 Parallel Pin	104PP
	Ratchet Adapter (Long, 24 mm)	TSP24
	Ratchet Adapter (Medium, 19 mm)	TSP19
	Ratchet Adapter (Short, 12 mm)	TSP12
	Contra-angle Adapter	TSPA21
	SCS Driver (Long, 28 mm)	SCSA28
	SCS Driver (Medium, 23 mm)	SCSA23
	SCS Driver (Short, 16 mm)	SCSA16
	SCS Driver (Angled)	ASCSA



Implant Removal Driver (SP, Ø 2.9 mm)

IDPSP

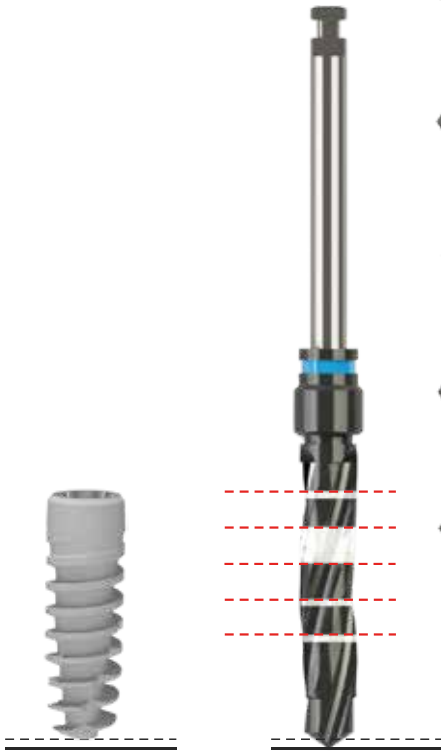
Implant Removal Driver (NP)

IDPNP

Implant Removal Driver (RP)

IDPRP

## Drills



		Ø Drill	Ø Implant	Product No.
	Pilot (Short)	Ø2.35	Ø2.9 Final	PD22
	Pilot (Long)	Ø2.35	Ø2.9 Final	PDL22
	Short	Ø2.7	Ø3.2 Final	ID32
	Long	Ø2.7	Ø3.2 Final	IDL32
	Short	Ø3.2	Ø3.7 Final	ID37
	Long	Ø3.2	Ø3.7 Final	IDL37
	Short	Ø3.6	Ø4.1 Final	ID41
	Long	Ø3.6	Ø4.1 Final	IDL41
	Short	Ø4.3	Ø4.8 Final	ID48
	Long	Ø4.3	Ø4.8 Final	IDL48
	Cortical	Ø2.9	Ø2.9	CD29
	Cortical	Ø3.2	Ø3.2	CD32
	Cortical	Ø3.7	Ø3.7	CD37
	Cortical	Ø4.1	Ø4.1	CD41
	Cortical	Ø4.8	Ø4.8	CD48
	Bone Profiler	Ø4.8	Ø4.1 - Ø4.8	BLPONP
	Bone Profiler	Ø4.8	Ø3.2 - Ø3.7	BLPORP

Deep Gauge Product No. DG



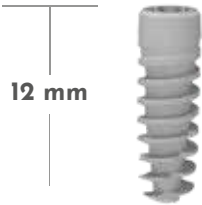
Torque Wrench Product No. TRCHTV2



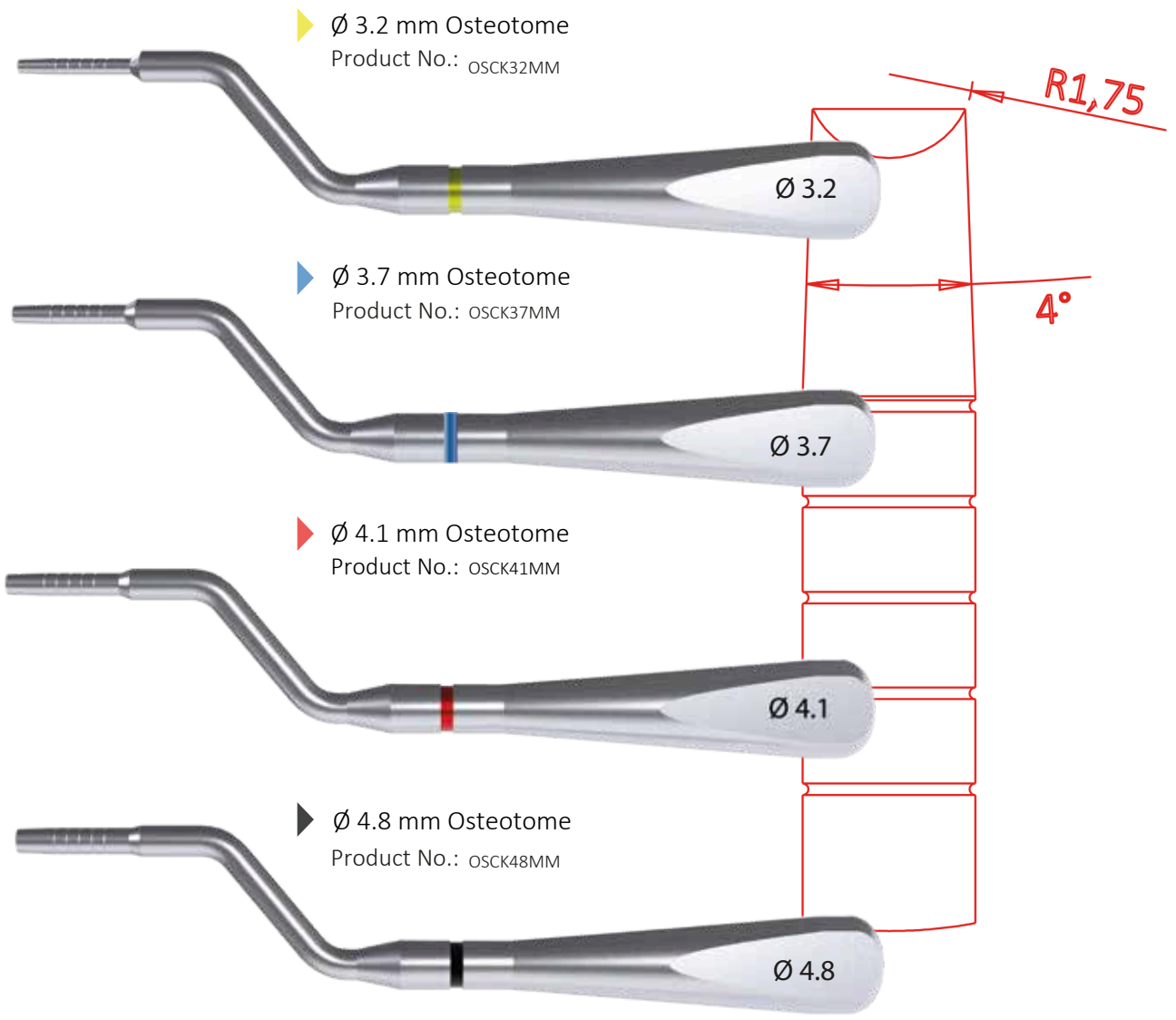
Hand Driver Product No. HS



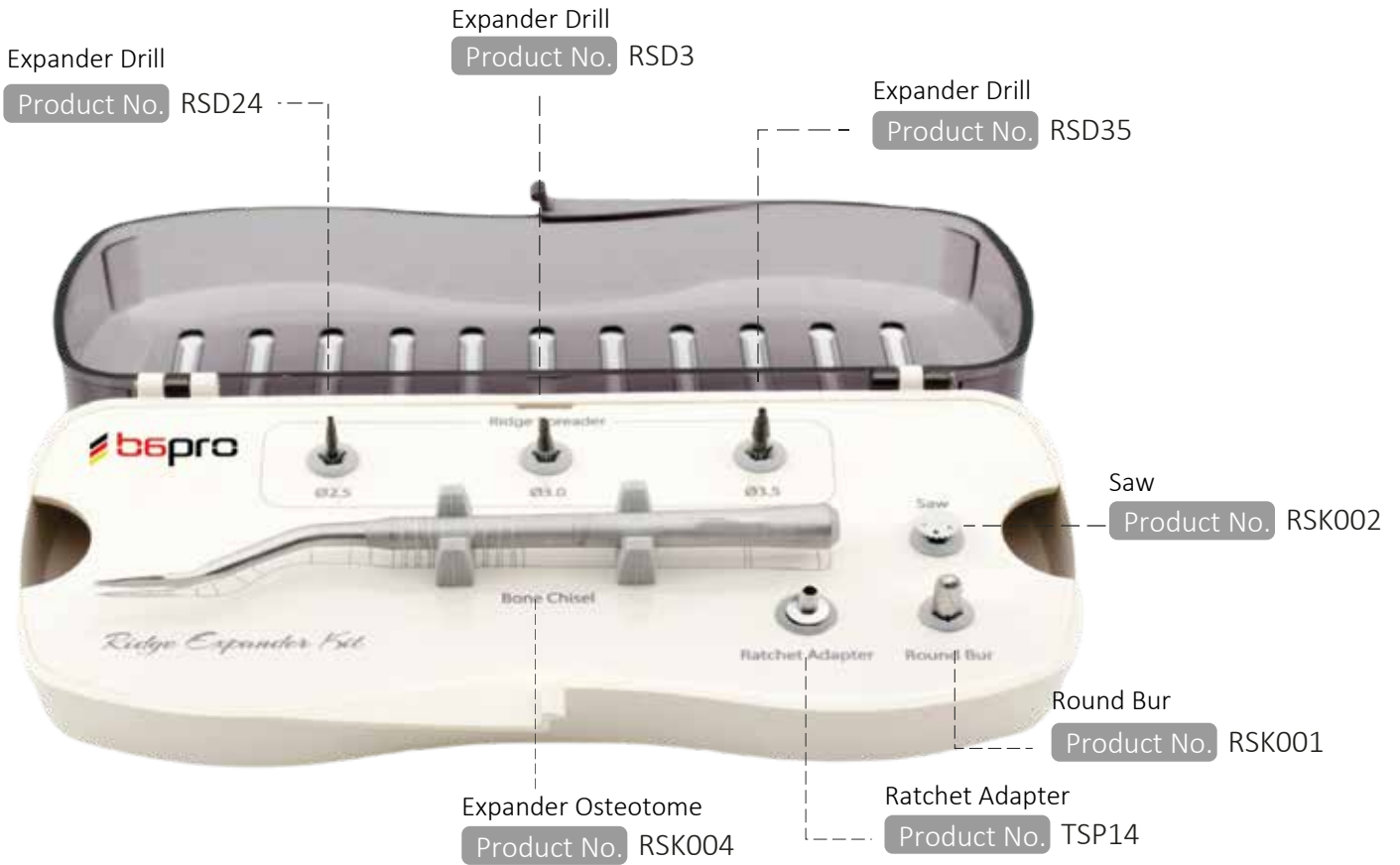
Gode Product No. GD



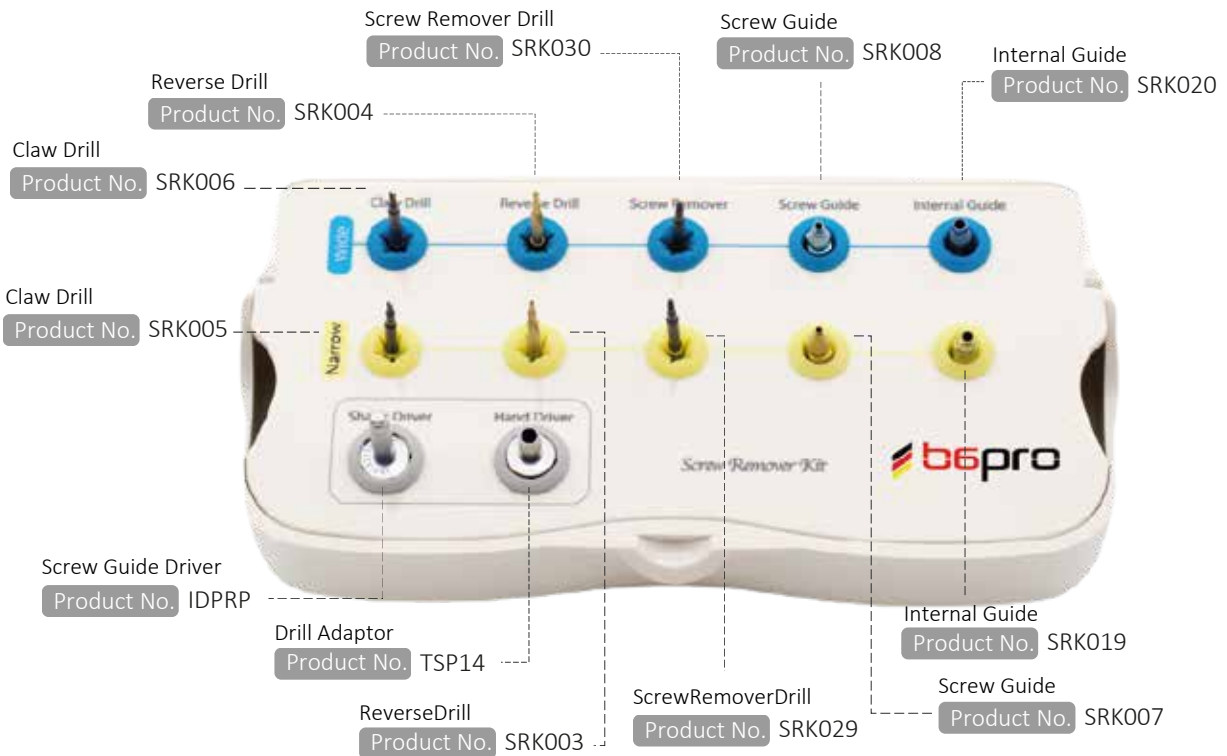
Implant		Length	Diameter	Product No.
Ø 3.2		14mm	Ø3.2	DS3214
		12mm	Ø3.2	DSD3S2312212
		10mm	Ø3.2	DDS3S3221100
		8mm	Ø3.2	DSD3S2302808
		6mm	Ø3.2	DS3206
Ø 3.7		14mm	Ø3.7	DS3714
		12mm	Ø3.7	DS3712
		10mm	Ø3.7	DS3710
		8mm	Ø3.7	DS3708
		6mm	Ø3.7	DS3706
Ø 4.1		14mm	Ø4.1	DS4114
		12mm	Ø4.1	DS4112
		10mm	Ø4.1	DS4110
		8mm	Ø4.1	DS4108
		6mm	Ø4.1	DS4106
Ø 4.8		14mm	Ø4.8	DS4814
		12mm	Ø4.8	DS4812
		10mm	Ø4.8	DS4810
		8mm	Ø4.8	DS4808
		6mm	Ø4.8	DS4806



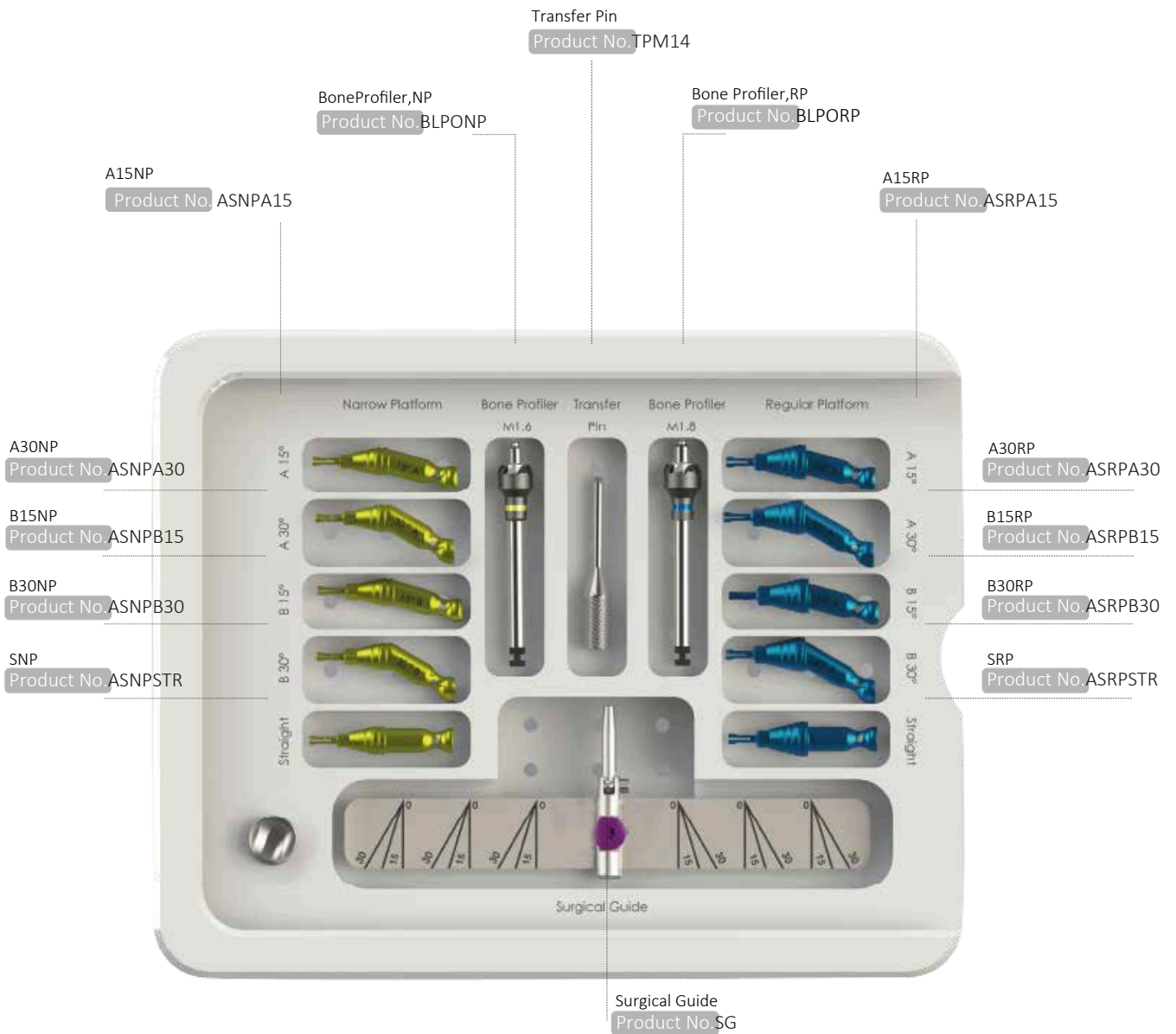
Product No. RSK



Product No. SRK



Please read the screw removal kit user manual for correct use.



NP : Narrow Platform (M1.6) ..... (Ø3.2 - Ø3.7 implants) RP : Regular Platform (M1.8) ..... (Ø4.1 - Ø4.8 implants)



## Our Digital Solution Partners



### SmartPeg Reference Guide Valid from December 2018 | 25016-67

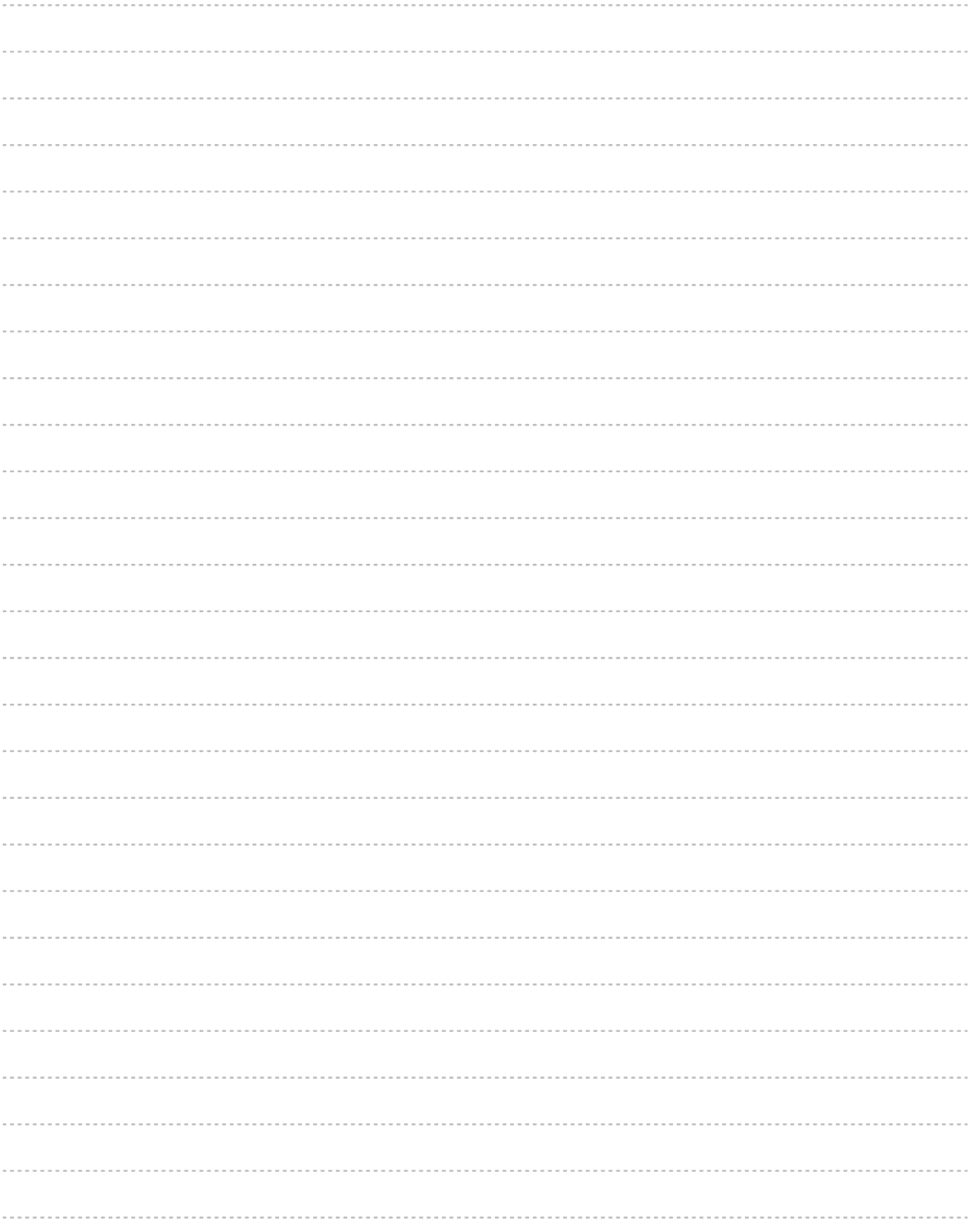
Implant Company	Model	Diameter (mm)	SmartPeg	New
B6pro®	Bone Level Implant	3.2 - 3.7	100402	Type21
	Bone Level Implant	4.1 - 4.8	100480	Type49

**PLANMECA**



**exocad**

Everything is much easier and safer with our digital solution partners.





Passion  
Future  
Quality  
Vision  
**Innovation**  
**SCIENCE**

Proimtech Saglik Urunleri Anonim Sirketi

[info@bilimplant.com](mailto:info@bilimplant.com)

[www.bilimplant.com](http://www.bilimplant.com)